



AMERICAN HDD[®]



HDD TOOLING CATALOG



TABLE OF CONTENTS

American HDD® Drilling Fluids.....	4-5
Transmitter Housings.....	7-11
Rock Drilling Bits.....	12-13
Starter Rods.....	14
Tail Piece Adapters.....	15
Replacement Drive Collars.....	16
Sub Savers, Drive Chucks.....	17
Drill Bits (Paddle Bits).....	19-27
Baseball Button Bit.....	17
Gia Monster Bit.....	18
Rattlesnake Bit.....	19
Black Widow Bit.....	19
Big Foot Bit.....	20
Bass Bit.....	21
Jackalope.....	21
BBQ Bit.....	22
Apple Pie Bit.....	23
Ace of Diamonds Bit.....	24
Bald Eagle Bit.....	25
Rifle.....	26
Redwood Bit.....	27
The Claw Bit.....	27
Backreamers.....	29-47
Spiral Fluted Backreamers.....	29
Cast Body Spiral Fluted Backreamers.....	30-38
Stacked Plate Spiral Fluted Backreamers.....	39
Winged Backreamers.....	40
Sand Backreamers.....	41
Clay Reamers.....	42
Long Wing Reamers.....	43
Tapered Barrel Backreamers.....	44
Barrel Reamers.....	45
PDC Large Body Fluted Reamers.....	46
PDC Solid Body Spiral Fluted Reamer.....	47
Solid Body Reamers.....	47

DRILLING FLUIDS



MAXIMUM DRILLING EFFICIENCY

POLYMER DRILLING PRODUCTS

American HDD® polymer drilling products are a line of super concentrated drilling fluids to be used for short distance/small diameter HDD bores. This easy to use, color-coded polymer drilling system allows utility contractors to quickly and efficiently drill through various soil types. Just add the appropriate products and drill!. They can be mixed and matched even in alternating ground. Do not let the small packaging fool you, these ultra-concentrated products are designed for real drillers in all sorts of tough ground.



American HDD® POLY-MISSILE™ is a highly concentrated, liquid polymer emulsion that serves as the base for American HDD® polymer drilling products. Used by itself, POLY MISSILE™ will produce a viscosity solutions in water which can fulfill the demands of most short bore length drilling applications. It is highly lubricating, clay inhibitive, and can help remove fine solids from the borehole.

Unit of Measure: 64oz container
Min. Order: 4



American HDD® CLAY-MISSILE™ is a concentrated, non-hazardous, proprietary clay inhibitor that can either be used with bentonite fluids or can be added to American HDD® polymer drilling products. CLAY MISSILE™ is an ideal additive for HDD bores in reactive clay soils. CLAY MISSILE™ is the most powerful and concentrated product of this type available.

Unit of Measure: 32oz container
Min. Order: 6



American HDD® SAND-MISSILE™ is a highly concentrated, liquid polymer that can either serve as a stand-alone fluid or can be added to American HDD® polymer drilling products. Use it with POLY MISSILE™ increase solids suspension. POLY MISSILE™ will produce a high viscosity solution designed to suspend sand, silt and fine gravel.

Unit of Measure: 64oz container
Min. Order: 4



American HDD® POLY-MISSILE™ is a concentrated liquid, surfactant/detergent that can either be used with bentonite fluids or can be added to American HDD® polymer drilling products. Used with bentonite, HOLE-SLIME™ will help prevent rod-sticking and seizing. When added to POLY MISSILE™, it can function to create an extremely high-performance slurry for clay drilling.

Unit of Measure: 8oz container
Min. Order: 12

Designed for Small Diameter Short Bores Only (12" and under and less than 1,000 feet.)

You can add these products to your bentonite slurry mix to enhance your drilling fluids.

American HDD® polymer drilling products or any polymer products alone should never replace bentonite based drilling fluids for larger diameter, longer bore shots or exceptionally challenging and high risk projects.

American HDD® Product Applications Number of Containers per 500 Gallons Freshwater				
SOIL CONDITIONS	POLY-MISSILE™	HOLE-SLIME™	CLAY-MISSILE™	SAND-MISSILE™
UNKNOWN	1	1		
SAND	1			2
SAND & GRAVEL	1	1		3-4
SAND & CLAY	1	1	1	2
CLAY	1	1-2	1	
STICKY CLAY	1-2	2	2	

***Note:** Other configurations available to order.



Description

American HDD® - All Season is a all copper-based drilling compound for use in all HDD drilling applications. It is especially effective in lower temperature environments but has the versatility to be used year round. American HDD® - All Season is designed to provide galling and seizing protection and support for high bearing stress on HDD pipe joints. NSF H2 registered.

Applications

Recommended for use on HDD drill pipe and developed for rugged conditions. Low Temperature field applications is enhanced through the use of a premium quality, low temperature base grease, making it an outstanding choice for environments reaching below 0°F. Can be brushed on threads or applied via most automated lubrication systems.

Technical Data

- Finely powder copper, graphite and non-metallic additives absorb stresses and enhance performance properties.
- Resistant to wash-out and will not harden or bleed excessively in storage.
- All season formula allows for easier application in lower temperatures.
- Superb protection against seizing and galling.
- Brushable to: -40°F (-40°C)

INDUSTRIAL COMPOUND - HDD Copper Based

PRODUCT NUMBER	CONTAINER SIZE	CONTAINER WEIGHT
655912	1 Gallon	10 lbs
655922	2 Gallon	20 lbs
655942	5 Gallon	45 lbs



Nonfood Compounds
H2

NO FOOD CONTACT



WARNING:

Cancer and Reproductive Harm
www.P65Warnings.ca.gov



ADVERTENCIA:

Cáncer y Daño Reproductivo
www.P65Warnings.ca.gov

*Note: Other configurations available to order.

Transmitters ➤

Starter Rods ➤

Adapters ➤

Collars ➤

Sub Savers ➤

Chucks ➤

Paddle Bits ➤

Backreamers ➤



Side Load, Slant Face, Transmitter Housings

The side load feature provides quick and easy field installation and removal of transmitter sonde and batteries.

All sizes feature:

- Replaceable tailpieces for long life
- * Screw-in, heat treated replaceable nozzles for maximum durability and steering.
- Accepts all styles of OEM type bolt-on pilot bits (paddle bits).



Transmitter Housing with “Bolt-On Doors” Vermeer® Compatible (Slant Face)

MODEL NUMBER	DIAMETER	PIPE THREAD
2012	2.750" Dia. Side Load, 6-Hole, Vermeer®	2.00" API IF (Box)
2016	3.250" Dia. Side Load, 6-Hole, Vermeer®	2.375" API REG (Box)
2018	3.50" Dia. Side Load, 6-Hole (5/8"-11 Bolts) Vermeer®	2-7/8" API IF (Box)
2020	4.250" Dia. Side Load, 6-Hole (5/8"-11 Bolts) Vermeer®	2-7/8" API IF (Box)



*Note: Other configurations available to order.

Side Load, Slant Face, Transmitter Housings

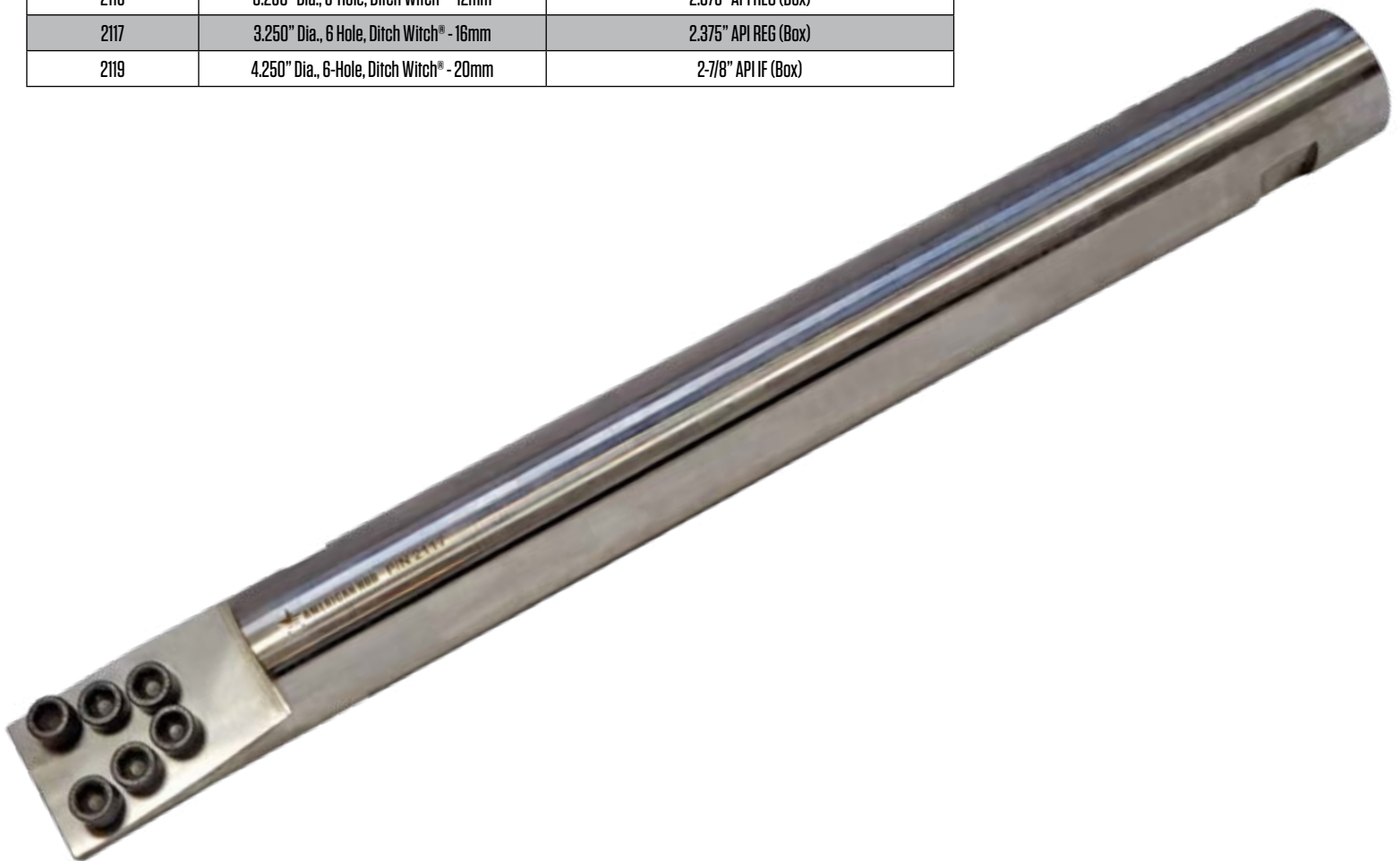
The side load feature provides quick and easy field installation and removal of transmitter sonde and batteries.

All sizes feature:

- Replaceable tailpieces for long life
- * Screw-in, heat treated replaceable nozzles for maximum durability and steering.
- Accepts all styles of OEM type bolt-on pilot bits (paddle bits).

Transmitter Housing with “Bolt-On Doors” Ditch Witch® Compatible (Slant Face)

MODEL NUMBER	DIAMETER	PIPE THREAD
2111	2.750" Dia., 5-Hole, Ditch Witch® - 12mm, 86 Series	2.00" API IF (Box)
2115	3.250" Dia., 5-Hole, Ditch Witch® - 12mm	2.375" API REG (Box)
2117	3.250" Dia., 6 Hole, Ditch Witch® - 16mm	2.375" API REG (Box)
2119	4.250" Dia., 6-Hole, Ditch Witch® - 20mm	2-7/8" API IF (Box)



Transmitter Housing with “Double Locking Doors” Ditch Witch® Compatible (Slant Face)

MODEL NUMBER	DIAMETER	PIPE THREAD
2311	2.750" Dia. Side Load, 5-Hole, Ditch Witch® - 12mm,	2.00" API IF (Box)
2315	3.250" Dia. Side Load, 5-Hole, Ditch Witch® - 12mm	2.375" API REG (Box)
2317	3.250" Dia. Side Load, 6-Hole, Ditch Witch® - 16mm	2.375" API REG (Box)
2319	4.250" Dia. Side Load, 6-Hole, Ditch Witch® - 20mm	2-7/8" API IF (Box)

Transmitter Housing with “Double Locking Doors” Ditch Witch® Compatible (Slant Face)

MODEL NUMBER	DIAMETER	PIPE THREAD
2212	2.750" Dia. Side Load, 6-Hole, Vermeer®	2.00" API IF (Box)
2216	3.250" Dia. Side Load, 6-Hole, Vermeer®	2.375" API REG (Box)
2218	3.50" Dia. Side Load, 6-Hole, Vermeer®	2.375" API REG (Box)
2220	4.250" Dia. Side Load, 6-Hole (5/8" - 11 Bolts) Vermeer®	2-7/8" API IF (Box)



*Note: Other configurations available to order.

Box x Box Transmitter Housing Vermeer® Compatible		
MODEL NUMBER	DIAMETER	PIPE THREAD
2610	2.750" Dia., Box x Box Side Load Housing	2" IF x 2" IF
2612	3.00" Dia., Box x Box Side Load Housing	2" IF x 2" IF
2614	3.250" Dia., Box x Box Side Load Housing	2.375" API REG x 2.375" API REG
2618	3.500" Dia., Box x Box Side Load Housing	2.375" API REG x 2.375" API REG
2620	4.250" Dia., Box x Box Side Load Housing	2.875" API REG x 2.875" API REG
2622	5.00" Dia., Box x Box Side Load Housing	3.500" API REG x 3.500" API REG

Box x Box Transmitter Housing Ditch Witch® Compatible		
MODEL NUMBER	DIAMETER	PIPE THREAD
2711	2.750" Dia., Box x Box Side Load Housing	2" IF x 2" IF
2713	3.00" Dia., Box x Box Side Load Housing	2" IF x 2" IF
2715	3.250" Dia., Box x Box Side Load Housing	2.375" API REG x 2.375" API REG
2717	3.500" Dia., Box x Box Side Load Housing	2.375" API REG x 2.375" API REG
2719	4.250" Dia., Box x Box Side Load Housing	2.875" API REG x 2.875" API REG



Box x Box End Load Rock Housings accepts 15" or 19" Digitrak Transmitters ONE PIECE HI-FLOW DESIGN	
MODEL NUMBER	DESCRIPTION
2811	3.625" Dia., Hi-Flow, 2-3/8" API REG x 2-3/8" API REG
2815	4.25" Dia., Hi-Flow, 2-7/8" API REG x 2-7/8" API REG
2817	5.00" Dia., Hi-Flow, 3-1/2" API REG x 3-1/2" API REG
2819	6.375" Dia., Hi-Flow, 4-1/2" API REG x 4-1/2" API REG

Dirt Subs for Box End Transmitter Housing (Blade Adapters) Ditch Witch® Compatible

MODEL NUMBER	DIAMETER	PIPE THREAD
2751	5 bolt (12mm)	2" IF PIN
2753	5 bolt (12mm)	2-3/8" API REG PIN
2755	6 bolt (16mm)	2-3/8" API REG PIN
2757	6 bolt (16mm)	2-7/8" API REG PIN
2759	6 bolt (16mm)	3-1/2" API REG PIN



Dirt Subs for Box End Transmitter Housing (Blade Adapters) Ditch Witch® Compatible

MODEL NUMBER	DIAMETER	PIPE THREAD
2850	6 bolt (1/2" - 13)	2" IF PIN
2852	6 bolt (1/2" - 13)	2-3/8" API REG PIN
2854	6 bolt (5/8" - 11)	2-7/8" API REG PIN
2856	6 bolt (5/8" - 11)	3-1/2" API REG PIN
2858	6 bolt (5/8" - 11)	4-1/2" API REG PIN

*Note: Other configurations available to order.

American HDD® Rock Drilling Bits

Designed for easy cutting and steering in soft and medium-hard rock. The large face aids in steering while the carbide rubble hard-facing and carbide cutters and wear buttons, Insure long service life. Pick the Extreme Series for a more aggressive cut.



Double Angle Style Cutters*

MODEL NUMBER	DESCRIPTION
5512	Sequoia Rock Drilling bit w/Angle Cutters 4" cut with 2.0" IF Pin
5514	Sequoia Rock Drilling bit w/Angle Cutters 4" cut with 2-3/8" API Reg Pin
5516	Sequoia Rock Drilling bit w/Angle Cutters 5" cut with 2-3/8" API Reg Pin
5518	Sequoia Rock Drilling bit w/Angle Cutters 5" cut with 2-7/8" API Reg Pin
5520	Sequoia Rock Drilling bit w/Angle Cutters 6" cut with 2-7/8" API Reg Pin
5522	Sequoia Rock Drilling bit w/Angle Cutters 6" cut with 3-1/2" API Reg Pin
5524	Sequoia Rock Drilling bit w/Angle Cutters 6" cut with 4-1/2" API Reg Pin
5526	Sequoia Rock Drilling bit w/Angle Cutters 7" cut with 3-1/2" API Reg Pin

Dome Style Cutters*

MODEL NUMBER	DESCRIPTION
5551	Sequoia Rock Drilling bit w/Dome Cutters 4" cut with 2.0" IF Pin
5553	Sequoia Rock Drilling bit w/Dome Cutters 4" cut with 2-3/8" API Reg Pin
5555	Sequoia Rock Drilling bit w/Dome Cutters 5" cut with 2-3/8" API Reg Pin
5557	Sequoia Rock Drilling bit w/Dome Cutters 5" cut with 2-7/8" API Reg Pin
5559	Sequoia Rock Drilling bit w/Dome Cutters 6" cut with 2-7/8" API Reg Pin
5561	Sequoia Rock Drilling bit w/Dome Cutters 6" cut with 3-1/2" API Reg Pin
5563	Sequoia Rock Drilling bit w/Dome Cutters 6" cut with 4-1/2" API Reg Pin
5565	Sequoia Rock Drilling bit w/Dome Cutters 7" cut with 3-1/2" API Reg Pin



Terra-Cut Rock Bits*

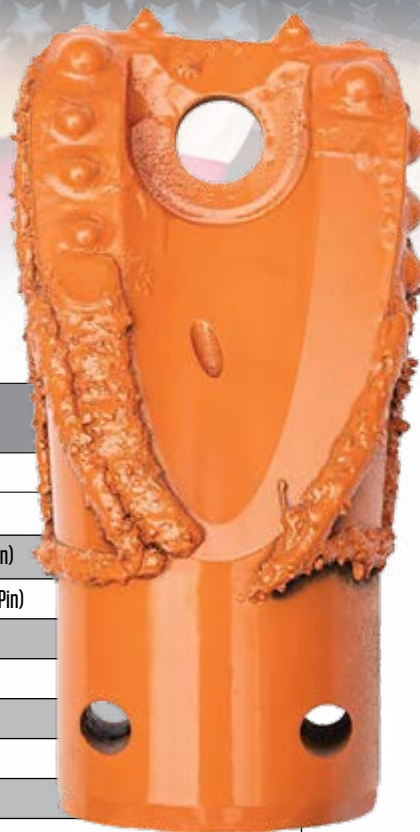
MODEL NUMBER	DESCRIPTION
5011	Porcupine Rock Drilling Bit 4-1/4" Cut with 2.0" IF Pin
5012	Porcupine Rock Drilling Bit 5-1/4" Cut with 2-3/8" API Reg Pin
5013	Porcupine Rock Drilling Bit 6-1/4" Cut with 2-7/8" API Reg Pin
5014	Porcupine Rock Drilling Bit 7-1/4" Cut with 3-1/2" API Reg Pin
5015	Porcupine Rock Drilling Bit 8-1/4" Cut with 4-1/2" API Reg Pin
5016	Porcupine Rock Drilling Bit 12-1/4" Cut with 4-1/2" API Reg Pin
5117	Porcupine Extreme Rock Drilling Bit 4-1/4" Cut with 2.0" IF Pin
5118	Porcupine Extreme Rock Drilling Bit 5-1/4" Cut with 2-3/8" API Reg Pin
5119	Porcupine Extreme Rock Drilling Bit 6-1/4" Cut with 2-7/8" API Reg Pin
5120	Porcupine Extreme Rock Drilling Bit 7-1/4" Cut with 3-1/2" API Reg Pin
5121	Porcupine Extreme Rock Drilling Bit 8-1/4" Cut with 4-1/2" API Reg Pin

Replacement Teeth for Porcupine Rock Bits

MODEL NUMBER	DESCRIPTION
5055	Small 3/4" shank, Fits 4-1/4"
5056	Medium 1" shank, Fits 5-1/4"
5057	Large 1-1/8" shank, Fits 6-1/4" - 8-1/4"
5058	X-Large 1-1/2" shank, Fits 12-1/4"

Go Extreme for a More Aggressive Cut!

*Note: Other configurations available to order.



Trihawk® Compatible Tooling	
Accepts 15' Digitrak and 86 Series Subsite Transmitters	
MODEL NUMBER	DESCRIPTION
2721	American HDD® Transmitter Housing Trihawk® Compatible 3" Dia. 2-3/8" API REG (Box) x 2.125" Spline (Pin)
2723	American HDD® Transmitter Housing Trihawk® Compatible 3-1/2" Dia. 2-3/8" API REG (box) x 2.5" Spline (Pin)
5567	American HDD® Sequoia Rock Drilling Bit w/Dome Cutters 4" cut w/ 2.125" Spline Trihawk® Compatible
5569	American HDD® Sequoia Rock Drilling Bit w/Dome Cutters 5" cut w/2.5" Spline Trihawk® Compatible
5571	American HDD® Sequoia Rock Drilling Bit w/Dome Cutters 6" cut w/2.5" Spline Trihawk® Compatible
5528	American HDD® Sequoia Rock Drilling Bit w/Angle Cutters 4" cut w/2.125" Spline Trihawk® Compatible
5530	American HDD® Sequoia Rock Drilling Bit w/Angle Cutters 5" cut w/2.5" Spline Trihawk® Compatible
5532	American HDD® Sequoia Rock Drilling Bit w/Angle Cutters 6" cut w/2.5" Spline Trihawk® Compatible
5123	American HDD® Porcupine Extreme Rock Drilling Bit 4.4" cut with 2.125 Spline Trihawk® Compatible
5125	American HDD® Porcupine Extreme Rock Drilling Bit 5.4" cut with 2.5" Spline Trihawk® Compatible
2660	American HDD® Dirt Subs for Trihawk® Compatible Transmitter Housing (Blade Adapters) Vermeer® Compatible 6 bolt (1/2" - 13") 2.5" Spline (Box)
2662	American HDD® Dirt Subs for Trihawk® Compatible Transmitter Housing (Blade Adapters) Vermeer® Compatible 6 bolt (1/2" - 13) 2.125" Spline (Box)
2761	American HDD® Dirt Subs for Trihawk® Compatible Transmitter Housing (Blade Adapters) Ditch Witch® Compatible 5 bolt (12mm) 2.125" Spline (Box)
2763	American HDD® Dirt Subs for Trihawk® Compatible Transmitter Housing (Blade Adapters) Ditch Witch® Compatible 6 bolt (12mm) 2.5" Spline (Box)
1371	American HDD® Tail Piece (Housing Savers)/Adapter Trihawk® Compatible 2.125" Spline (B) X 2-3/8" API REG (P)
1373	American HDD® Tail Piece (Housing Savers)/Adapter Trihawk® Compatible 2.5" Spline (B) X 2-3/8" API REG (P)
200121	American HDD® Solid Body Spiral Fluted Backreamers 6" Cut x 4.5" Pack, 2.125" Spline (Box) x Pull Tab w/Rotary Teeth Trihawk® Compatible
200123	American HDD® Solid Body Spiral Fluted Backreamers 6" Cut x 4.5" Pack, 2.5" Spline (Box) x Pull Tab with Rotary Teeth Trihawk® Compatible

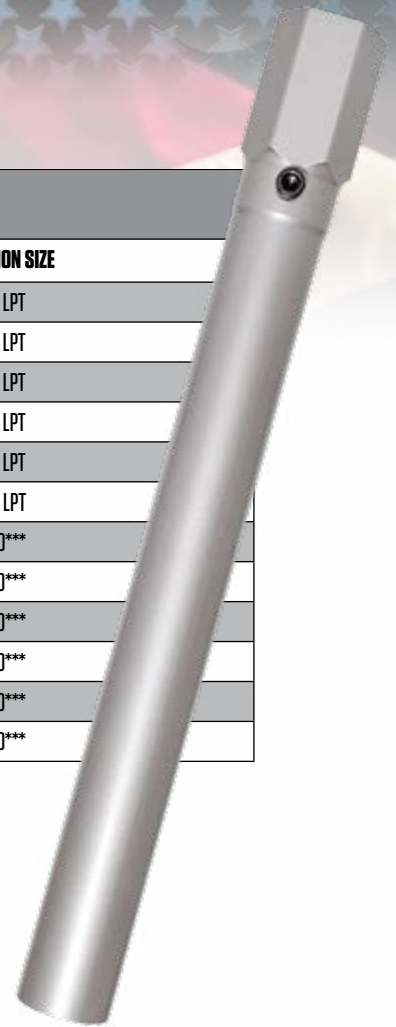
Trihawk® is a registered trademark of Charles Machine Works

*Note: Other configurations available to order.

Starter Rod Vermeer® Compatible*

MODEL NUMBER	ROD SIZE	CONNECTION SIZE
1010	FST 1 #700	2.125" LPT
1012	FST 1 #650	2.125" LPT
1014	FST 1 #600	2.125" LPT
1016	FST 1 #400	2.125" LPT
1018	FST 1 # 250	2.125" LPT
1020	FST 1 #200	1.625" LPT
1022	FST 1 #200	QF 300***
1026	FST 1 #600	QF 400***
1030	FST 1 #400	QF 400***
1038	FST 1 #700	QF 460***
1042	FST 1 #650	QF 460***
1046	FST 1 #600	QF 460***

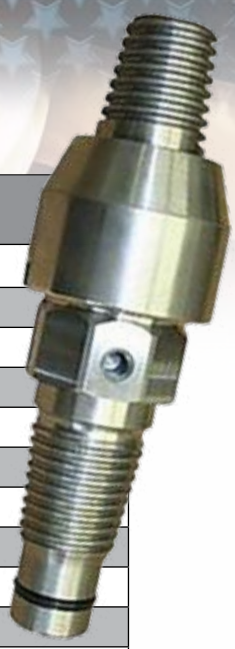
***QF 300, 400 & 460 are compatible with Vermeer® Quickfire 300, 400 & 460 connections.



Starter Rod/Transition Sub Ditch Witch® "EZ Connect" Compatible*

MODEL NUMBER	DESCRIPTION	ROD SIZE	CONNECTION SIZE
1111	Fits JT520	1.21 (Pin)	1.31 EZ-2 (Pin)
1113	Fits JT920, 920L, 921, 922, JT10	1.41 (Pin)	1.63 EZ-2 (Pin)
1115	Fits JT1220M1	1.47 (Pin)	1.88 EZ-3 (Pin)
1117	Fits JT1720, JT1720M1	1.69 (Pin)	2.0 EZ-2 (Pin)
1119	Fits JT2020M1, JT20	1.94 (Pin)	2.0 EZ-2 (Pin)
1121	Fits JT2720	1.94 (Pin)	2.0 EZ-2 (Pin)
1123	Fits JT2720M1	2.11 (Pin)	2.25 EZ-3 (Pin)
1125	Fits JT3020M1, JT25, JT30	2.11 (Pin)	2.25 EZ-3 (Pin)
1127	Fits JT4020M1	2.59 (Pin)	2.63 EZ-2 (Pin)





Vermeer® Tail Piece (Housing Savers)/Adapter*

MODEL NUMBER	DIAMETER	PIPE THREAD
1210	1.625" LPT Hex (Pin)	2.00" IF (Pin)
1212	1.625" LPT Hex (Pin)	2.375" API REG (Pin)
1214	2.125" LPT Hex (Pin)	2.00" IF (Pin)
1216	2.125" LPT Hex (Pin)	2.375 API Reg (Pin)
1226	QF 300 (Pin)***	2.00" IF (Pin)
1228	QF 300 (Pin)***	2.375" API Reg (Pin)
1230	QF 400 (Pin)***	2.00" IF (Pin)
1232	QF 400 (Pin)***	2.00 IF (Pin) w/HD Bolt
1234	QF 400 (Pin)***	2.375" API Reg (Pin)
1236	QF 400 (Pin)***	2.375" API Reg (Pin) w/HD Bolt
1238	QF 460 (Pin)***	2.375" API Reg (Pin)
1240	QF 460 (Pin)***	2.375" API Reg (Pin) w/HD Bolt
1242	QF 460 (Pin)***	2.875" API Reg (Pin)
1244	QF 460 (Pin)***	2.875" API Reg (Pin) w/HD B

***QF 300, 400 & 460 are compatible with Vermeer® Quickfire 300, 400 & 460 connections.

Ditch Witch® Tail Piece (Housing Savers)/Adapter*

MODEL NUMBER	DRILL RIG	DIAMETER	PIPE THREAD
1311	Fits 920, 920L, 921, 922, JT10	EZ-2 (Box) 1.63	2.00" IF (Pin)
1313	Fits 920, 920L, 921, 922, JT10	EZ-2 (Box) 1.63	2.375" API REG (Pin)
1315	Fits 1220M1	EZ-3 (Box) 1.88	2.00" IF (Pin)
1317	Fits 1220M1	EZ-3 (Box) 1.88	2.375 API Reg (Pin)
1319	Fits 1720, 1720M1, 2020M1, 2720, JT20	EZ-2 (Box) 2.00	2.00" IF (Pin)
1321	Fits 1720, 1720M1, 2020M1, 2720, JT20	EZ-2 (Box) 2.00	2.375" API Reg (Pin)
1323	Fits 2720M1	EZ-3 (Box) 2.25	2.00" IF (Pin)
1325	Fits 2720M1	EZ-3 (Box) 2.25	2.375" API Reg (Pin)
1327	Fits 3020M1, JT25, JT30	EZ-3 (Box) 2.25	2.0" IF (Pin)
1329	Fits 3020M1, JT25, JT30	EZ-3 (Box) 2.25	2.375" API Reg (Pin)
1331	Fits 3020M1, JT25, JT30	EZ-3 (Box) 2.25	2.875" IF (Pin)
1333	Fits 4020M1	EZ-2 (Box) 2.63	2.375" API Reg (Pin)
1335	Fits 4020M1	EZ-2 (Box) 2.63	2.875" IF (Pin)



*Note: Other configurations available to order.

Replacement Drive Collars for Vermeer® Rigs

MODEL NUMBER	ID Size	Description
1410	2.00"	Hex Collar Vermeer® Compatible Hard-faced for 1.625" LPT
1414	2.00"	Hex Collar Vermeer® Compatible w/Shark Teeth & Hard-faced for 1.625" LPT
1416	2.50"	Hex Collar Vermeer® Compatible Hard-faced for 2.125" LPT
1420	2.50"	Hex Collar Vermeer® Compatible w/Shark Teeth & Hard-faced for 2.125" LPT
1422	2.15"	Octagon Collar Vermeer® Compatible Hard-faced for QF 300***
1424	2.15"	Octagon Collar Vermeer® Compatible w/Shark Teeth & Hard-faced for QF 300***
1426	2.625"	Octagon Collar Vermeer® Compatible Hard-faced for QF 400***
1428	2.625"	Octagon Collar Vermeer® Compatible w/Shark Teeth & Hard-faced for QF 400***
1430	3.00"	Octagon Collar Vermeer® Compatible Hard-faced for QF 460***
1432	3.00"	Octagon Collar Vermeer® Compatible w/Shark Teeth & Hard-faced for QF 460***

***QF 300, 400 & 460 are compatible with Vermeer® Quickfire 300, 400 & 460 connections.



Replacement Drive Collars for Ditch Witch® Rigs

MODEL NUMBER	ID Size	Description
1511	1.56"	Octagon Collar w/Hard-facing for EZ-2 - JT520
1513	2.00"	Octagon collar w/Hard-facing for EZ-2 - JT920, JT920L, JT921, JT922
1515	2.25"	Octagon Collar w/Hard-facing for EZ-3 - JT1220M1
1519	2.50"	Octagon Collar w/Hard-facing EZ-2 - JT1720, JT720M2, JT2020M1, JT2720, JT2720M1
1525	2.75"	Octagon Collar w/Hard-facing for EZ-3 O - JT2720AT, JT3020AT, JT3020M1, JT25
1527	3.15"	Octagon Collar w/Hard-facing for EZ-2 - JT4020M1, JT2720AT, JT3020AT



Sub-Saver Vermeer® Compatible

MODEL NUMBER	DRILL RIG	PIPE THREAD
3120	7x11, 7x11A, 10x14, 10x15	1.66" pipe - #200
3212	7x11 Series II	1.66" pipe - #200
3214	16x20, 18x22, 20x22	1.90" pipe - #250
3216	16x20, 18x22, 20x22	2.06" pipe - #400
3222	24x40, Series II - 12.0" OAL	2.375" pipe - #600
3224	24x40 Series III - 12.5" OAL	2.375" pipe - #600
3226	33x44, 36x50	2.375" pipe - #650
3228	36x50, 40x55	2.625" pipe - #700
3230	50x100, 80x100	2.875" pipe - #900
3232	50x100, 80x100	3.50" pipe - #800
3234	100x120	3.50" pipe - #1000
3236	40x55 Series III	2.625" pipe #700



Drive Chuck for Vermeer® Rigs

MODEL NUMBER	DRILL RIG	DIAMETER	PIPE THREAD
3010	7x11, 7x11A	1.66"	pipe - #200
3012	10x14, 10x15	1.66"	pipe - #200
3014	16x20, 18x22, 20x22	1.9"	pipe - #250
3016	16x20, 18x22, 20x22	2.06"	pipe - #400
3018	24x40, 40x40	2.375"	pipe - #600
3020	50x100, 80x100	2.875"	pipe - #900
3022	50x100, 80x100	3.500"	pipe - #800
3028	36x50, 40x55	2.625"	pipe - #700



Drive Chuck for Ditch Witch® Rigs

MODEL NUMBER	DRILL RIG	PIPE THREAD
3111	JT1220M1	1.47-4 THD
3113	JT2020M1	1.94-4 THD
3115	JT2720	1.94-4 THD
3117	JT1720, JT1720M1	1.69-6 THD
3119	JT920, JT920L	1.41-6 THD



*Note: Other configurations available to order.

PADDLE BITS





Baseball Button Bit (Pull Back Hole Std.) For Rocky & Abrasive Soil

	MODEL NUMBER	HOLE PATTERN	WIDTH	THICK
DITCH WITCH	9901	5 Hole - 12mm	3.5"	3/4"
	9903	5 Hole - 12mm	4.0"	3/4"
	9905	5 Hole - 12mm	4.5"	3/4"
	9907	5 Hole - 12mm	5.0"	3/4"
	9909	6 Hole - 16mm	4.0"	3/4"
	9911	6 Hole - 16mm	4.5"	3/4"
	9913	6 Hole - 16mm	5.0"	3/4"
	9915	6 Hole - 16mm	6.0"	3/4"
	9917	6 Hole - 16mm	5.0"	1.0"
	9919	6 Hole - 16mm	6.0"	1.0"
	9921	6 Hole - 20mm	5.0"	1.0"
	9923	6 Hole - 20mm	6.0"	1.0"
	VERMEER	9802	5 Hole - 3/8" - 16	4.0"
9804		7 Hole - 1/2" - 13	3.5"	3/4"
9806		7 Hole - 1/2" - 13	4.0"	3/4"
9808		7 Hole - 1/2" - 13	4.5"	3/4"
9810		7 Hole - 1/2" - 13	5.0"	3/4"
9812		7 Hole - 1/2" - 13	6.0"	3/4"
9814		7 Hole - 1/2" - 13	8.0"	3/4"
9816		7 Hole - 1/2" - 13	5.0"	1.0"
9818		7 Hole - 1/2" - 13	6.0"	1.0"
9820		7 Hole - 5/8" - 11	5.0"	1.0"
9822		7 Hole - 5/8" - 11	6.0"	1.0"
9824	7 Hole - 5/8" - 11	8.0"	1.0"	



*Note: Other configurations available to order.



Gila Monster Bit (Pull Back Hole Std.) For Rocky & Abrasive Soil

	MODEL NUMBER	HOLE PATTERN	WIDTH	THICK	
DITCH WITCH	8701	3 Hole - 12mm	2.5"	1/2"	
	8703	3 Hole - 12mm	3.0"	1/2"	
	8705	3 Hole - 12mm	3.5"	1/2"	
	8707	5 Hole - 12mm	3.5"	3/4"	
	8709	5 Hole - 12mm	4.0"	3/4"	
	8711	5 Hole - 12mm	5.0"	3/4"	
	8713	6 Hole - 16mm	4.0"	3/4"	
	8715	6 Hole - 16mm	5.0"	3/4"	
	8717	6 Hole - 16mm	6.0"	3/4"	
	8719	6 Hole - 16mm	4.0"	1.0"	
	8721	6 Hole - 16mm	5.0"	1.0"	
	8723	6 Hole - 20mm	5.0"	1.0"	
	8725	6 Hole - 20mm	6.0"	1.0"	
	VERMEER	8602	5 Hole - 3/8" - 16	4.0"	1/2"
		8604	7 Hole - 1/2" - 13	3.5"	3/4"
8606		7 Hole - 1/2" - 13	4.0"	3/4"	
8610		7 Hole - 1/2" - 13	5.0"	3/4"	
8612		7 Hole - 1/2" - 13	6.0"	3/4"	
8614		7 Hole - 1/2" - 13	4.0"	1.0"	
8616		7 Hole - 1/2" - 13	4.5"	1.0"	
8618		7 Hole - 1/2" - 13	5.0"	1.0"	
8620		7 Hole - 1/2" - 13	6.0"	1.0"	
8622		7 Hole - 5/8" - 11	5.0"	1.0"	
8624		7 Hole - 5/8" - 11	6.0"	1.0"	
8626	7 Hole - 5/8" - 11	8.0"	1.0"		



Rattlesnake Bit (Pull Back Hole Std.) For Rocky & Abrasive Soil

	MODEL NUMBER	HOLE PATTERN	WIDTH	THICK
DITCH WITCH	8501	5 Hole - 12mm	4.0"	3/4"
	8505	6 Hole - 16mm	4.0"	3/4"
	8507	6 Hole - 16mm	5.0"	3/4"
VERMEER	8404	7 Hole - 1/2" - 13	4.0"	3/4"
	8408	7 Hole - 1/2" - 13	5.0"	3/4"



Black Widow BIT (Pull Back Hole Std.) For Rocky & Abrasive Soil

	MODEL NUMBER	HOLE PATTERN	WIDTH	THICK
DITCH WITCH	7101	5 Hole - 12mm	4.0"	3/4"
	7103	5 Hole - 12mm	5.0"	3/4"
	7105	6 Hole - 16mm	4.0"	3/4"
	7107	6 Hole - 16mm	5.0"	3/4"
	7109	6 Hole - 16mm	6.0"	3/4"
	7111	6 Hole - 16mm	5.0"	1"
	7113	6 Hole - 16mm	6.0"	1"
	VERMEER	7002	7 Hole - 1/2" - 13	3.5"
7004		7 Hole - 1/2" - 13	4.0"	3/4"
7006		7 Hole - 1/2" - 13	4.5"	3/4"
7008		7 Hole - 1/2" - 13	5.0"	3/4"
7010		7 Hole - 1/2" - 13	5.5"	3/4"
7012		7 Hole - 1/2" - 13	8.0"	3/4"
7014		7 Hole - 5/8" - 11	5.0"	1"
7016		7 Hole - 5/8" - 11	6.5"	1"



*Note: Other configurations available to order.



Big Foot Bit (Pull Back Hole Std.) For Sedimentary Rock, Hardpan, Dry Clay & Compacted Soil

	MODEL NUMBER	HOLE PATTERN	WIDTH	THICK
DITCH WITCH	9701	3 Hole - 12mm	2.5"	1/2"
	9703	3 Hole - 12mm	3.0"	1/2"
	9705	3 Hole - 12mm	3.5"	1/2"
	9707	5 Hole - 12mm	4.0"	3/4"
	9709	5 Hole - 12mm	4.5"	3/4"
	9711	5 Hole - 12mm	5.0"	3/4"
	9713	6 Hole - 16mm	4.5"	3/4"
	9715	6 Hole - 16mm	5.0"	3/4"
	9717	6 Hole - 16mm	6.0"	3/4"
	9719	6 Hole - 20mm	5.0"	1.0"
	9721	6 Hole - 20mm	6.0"	1.0"
	9723	6 Hole - 20mm	8.0"	1.0"
	9725	6 Hole - 20mm	10.0"	1.0"
	VERMEER	9602	7 Hole - 1/2" - 13	4.0"
9604		7 Hole - 1/2" - 13	5.0"	3/4"
9606		7 Hole - 1/2" - 13	6.0"	3/4"
9608		7 Hole - 1/2" - 13	5.0"	1.0"
9610		7 Hole - 1/2" - 13	6.0"	1.0"
9612		7 Hole - 5/8" - 11	5.0"	1.0"
9614		7 Hole - 5/8" - 11	6.0"	1.0"
9616		7 Hole - 5/8" - 11	8.0"	1.0"



Bass Bit (Pull Back Hole Std.) For Sedimentary Rock, Hardpan, Dry Clay & Compacted Soil

DITCH WITCH

MODEL NUMBER	HOLE PATTERN	WIDTH	THICK
7901	5 Hole - 12mm	4.0"	3/4"
7903	5 Hole - 12mm	4.5"	3/4"
7905	5 Hole - 12mm	5.0"	3/4"
7907	6 Hole - 16mm	4.0"	3/4"
7909	6 Hole - 16mm	5.0"	3/4"
7911	6 Hole - 20mm	5.0"	1.0"
7913	6 Hole - 20mm	6.0"	1.0"
7915	6 Hole - 20mm	8.0"	1.0"

VERMEER

7802	7 Hole - 1/2" - 13	4.0"	3/4"
7804	7 Hole - 1/2" - 13	4.5"	3/4"
7806	7 Hole - 1/2" - 13	5.0"	3/4"
7808	7 Hole - 1/2" - 13	6.0"	3/4"
7810	7 Hole - 5/8" - 11	10.0"	1.0"
7812	7 Hole - 5/8" - 11	4.0"	1.0"
7814	7 Hole - 5/8" - 11	5.0"	1.0"
7816	7 Hole - 5/8" - 11	6.0"	1.0"



Jackalope (Pull Back Hole Std.) For Sedimentary Rock, Hardpan, Dry Clay & Compacted Soil

DITCH WITCH

MODEL NUMBER	HOLE PATTERN	WIDTH	THICK
9501	5 Hole - 12mm	3.5"	3/4"
9503	5 Hole - 12mm	4.0"	3/4"
9505	5 Hole - 12mm	4.5"	3/4"
9507	5 Hole - 12mm	5.0"	3/4"
9509	6 Hole - 16mm	4.0"	3/4"
9511	6 Hole - 16mm	4.5"	3/4"
9513	6 Hole - 16mm	5.0"	3/4"

VERMEER

9502	5 Hole - 3/8" - 16	4.0"	1/2"
9405	7 Hole - 1/2" - 13	3.5"	3/4"
9406	7 Hole - 1/2" - 13	4.0"	3/4"
9408	7 Hole - 1/2" - 13	4.5"	3/4"
9410	7 Hole - 1/2" - 13	5.0"	3/4"
9412	7 Hole - 1/2" - 13	6.0"	3/4"



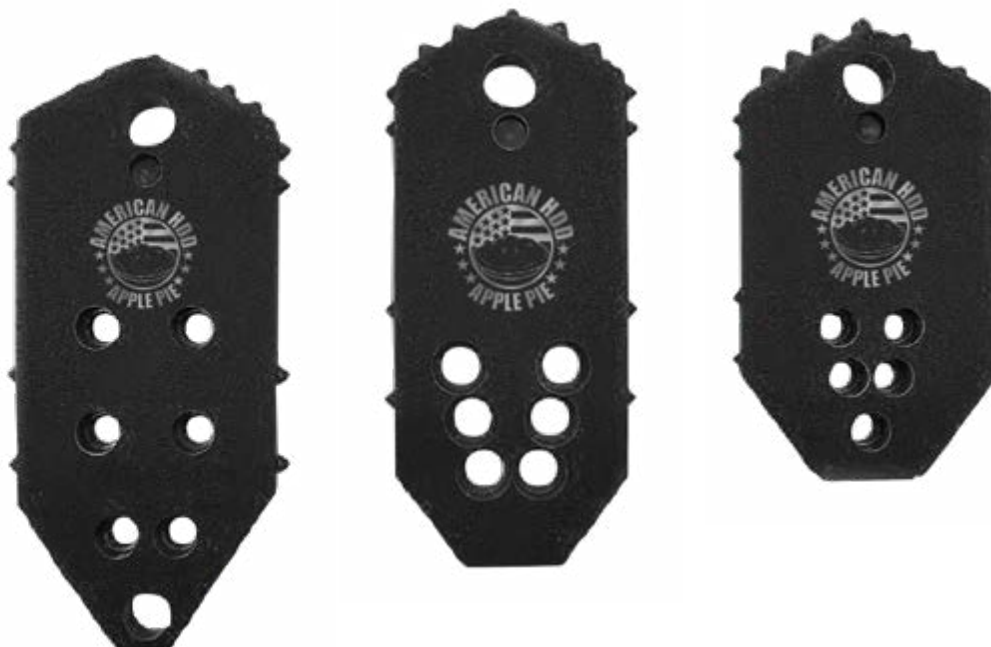


BBQ Bit (Pull Back Hole Std.) For Hard, Rocky Soil			
	MODEL NUMBER	HOLE PATTERN	THICK
DITCH WITCH	8101	5 Hole - 12mm	3.5"
	8103	5 Hole - 12mm	4.0"
	8105	5 Hole - 12mm	4.5"
	8107	5 Hole - 12mm	5.0"
	8109	6 Hole - 16mm	4.0"
	8111	6 Hole - 16mm	4.5"
VERMEER	8113	6 Hole - 16mm	5.0"
	8002	7 Hole - 1/2" - 13	3.5"
	8004	7 Hole - 1/2" - 13	4.0"
	8006	7 Hole - 1/2" - 13	4.5"
	8008	7 Hole - 1/2" - 13	5.0"
	8010	7 Hole - 5/8" - 11	1.0"





Apple Pie Bit (Pull Back Hole Std.) For Hard, Rocky Soil				
	MODEL NUMBER	HOLE PATTERN	WIDTH	THICK
DITCH WITCH	8301	5 Hole - 12mm	3.5"	3/4"
	8303	5 Hole - 12mm	4.0"	3/4"
	8305	5 Hole - 12mm	4.5"	3/4"
	8307	5 Hole - 12mm	5.0"	3/4"
	8309	6 Hole - 16mm	4.0"	3/4"
	8311	6 Hole - 16mm	4.5"	1.0"
	8313	6 Hole - 16mm	5.0"	1.0"
	8315	6 Hole - 16mm	6.0"	
VERMEER	8202	7 Hole - 1/2" - 13	3.5"	3/4"
	8204	7 Hole - 1/2" - 13	4.0"	3/4"
	8206	7 Hole - 1/2" - 13	4.5"	3/4"
	8208	7 Hole - 1/2" - 13	5.0"	3/4"
	8210	7 Hole - 5/8" - 11	6.0"	1.0"
	8212	7 Hole - 5/8" - 11	7.0"	1.0"



*Note: Other configurations available to order.


ACE of Diamonds Bit (Pull Back Hole Std.) For Sand, Wet Clay w/Cobble

	MODEL NUMBER	HOLE PATTERN	WIDTH	THICK
DITCH WITCH	9301	5 Hole - 12mm	2.5"	1/2"
	9303	5 Hole - 12mm	3.0"	1/2"
	9305	5 Hole - 12mm	3.5"	1/2"
	9307	5 Hole - 12mm	3.5"	3/4"
	9309	5 Hole - 12mm	4.0"	3/4"
	9311	5 Hole - 12mm	4.5"	3/4"
	9313	5 Hole - 12mm	5.0"	3/4"
	9315	6 Hole - 16mm	4.0"	3/4"
	9317	6 Hole - 16mm	4.5"	3/4"
	9319	6 Hole - 16mm	5.0"	3/4"
	9321	6 Hole - 16mm	6.0"	3/4"
	9323	6 Hole - 20mm	5.0"	1.0"
	9325	6 Hole - 20mm	6.0"	1.0"
	9327	6 Hole - 20mm	8.0"	1.0"
	VERMEER	9202	7 Hole - 1/2" - 13	3.5"
9204		7 Hole - 1/2" - 13	4.0"	3/4"
9206		7 Hole - 1/2" - 13	4.5"	3/4"
9208		7 Hole - 1/2" - 13	5.0"	3/4"
9210		7 Hole - 1/2" - 13	6.0"	3/4"
9212		7 Hole - 5/8" - 11	5.0"	1.0"
9214		7 Hole - 5/8" - 11	6.0"	1.0"
9216	7 Hole - 5/8" - 11	8.0"	1.0"	





Bald Eagle Bit (Pull Back Hole Std.) For Normal Soil Conditions

	MODEL NUMBER	HOLE PATTERN	WIDTH	THICK
DITCH WITCH	9101	3 Hole - 12mm	2.5"	1/2"
	9103	3 Hole - 12mm	3.0"	1/2"
	9105	3 Hole - 12mm	3.5"	1/2"
	9107	5 Hole - 12mm	3.5"	3/4"
	9109	5 Hole - 12mm	4.0"	3/4"
	9111	5 Hole - 12mm	4.5"	3/4"
	9113	5 Hole - 12mm	5.0"	3/4"
	9115	6 Hole - 16mm	4.0"	3/4"
	9117	6 Hole - 16mm	4.5"	3/4"
	9119	6 Hole - 16mm	5.0"	3/4"
	9121	6 Hole - 16mm	6.0"	3/4"
	VERMEER	9002	5 Hole - 3/8" - 16	2.5"
9004		5 Hole - 3/8" - 16	3.0"	1/2"
9006		5 Hole - 3/8" - 16	3.5"	1/2"
9008		5 Hole - 3/8" - 16	4.0"	1/2"
9010		7 Hole - 1/2" - 13	3.5"	3/4"
9012		7 Hole - 1/2" - 13	4.0"	3/4"
9014		7 Hole - 1/2" - 13	4.5"	3/4"
9016		7 Hole - 1/2" - 13	5.0"	3/4"
9018	7 Hole - 5/8" - 11	6.0"	3/4"	



*Note: Other configurations available to order.



Rifle Bit (Pull Back Hole Std.) For Sand & Sandy Loom

	MODEL NUMBER	HOLE PATTERN	WIDTH	THICK
DITCH WITCH	7501	3 Hole - 12mm	2.5"	1/2"
	7503	3 Hole - 12mm	3.0"	1/2"
	7505	3 Hole - 12mm	3.5"	1/2"
	7507	5 Hole - 12mm	3.5"	3/4"
	7509	5 Hole - 12mm	4.0"	3/4"
	7511	5 Hole - 12mm	4.5"	3/4"
	7513	5 Hole - 12mm	5.0"	3/4"
	7515	6 Hole - 16mm	4.0"	3/4"
	7517	6 Hole - 16mm	4.5"	3/4"
	7519	6 Hole - 16mm	5.0"	3/4"
	7521	6 Hole - 16mm	6.0"	3/4"
	7523	6 Hole - 20mm	5.0"	1.0"
	7525	6 Hole - 20mm	6.0"	1.0"
	VERMEER	7402	5 Hole - 3/8 - 16	2.5"
7404		5 Hole - 3/8 - 16	3.0"	1/2"
7406		5 Hole - 3/8 - 16	3.5"	1/2"
7408		5 Hole - 3/8 - 16	4.0"	1/2"
7410		7 Hole - 1/2" - 13	3.5"	3/4"
7412		7 Hole - 1/2" - 13	4.0"	3/4"
7414		7 Hole - 1/2" - 13	4.5"	3/4"
7416		7 Hole - 1/2" - 13	5.0"	3/4"
7418		7 Hole - 1/2" - 13	5.0"	3/4"
7420		7 Hole - 1/2" - 13	4.0"	1.0"
7422		7 Hole - 1/2" - 13	4.5"	1.0"
7424		7 Hole - 1/2" - 13	5.0"	1.0"
7426		7 Hole - 1/2" - 13	6.0"	1.0"
7428		7 Hole - 5/8" - 11	5.0"	1.0"
7430	7 Hole - 5/8" - 11	6.0"	1.0"	



Redwood Bit (Pull Back Hole Std.) For Sand & Sandy Loom

	MODEL NUMBER	HOLE PATTERN	WIDTH	THICK
DITCH WITCH	7301	5 Hole - 12mm	4.0"	3/4"
	7303	5 Hole - 12mm	5.0"	3/4"
	7305	6 Hole - 16mm	5.0"	3/4"
	7309	6 Hole - 16mm	6.0"	3/4"
VERMEER	7202	7 Hole - 1/2" - 13	4.0"	3/4"
	7204	7 Hole - 1/2" - 13	5.0"	3/4"
	7206	7 Hole - 1/2" - 13	6.0"	3/4"



The Claw Bit (Pull Back Hole Std.) For Hardpan, Dry Clay & Compacted Soil

	MODEL NUMBER	HOLE PATTERN	WIDTH	THICK
DITCH WITCH	7701	5 Hole - 12mm	4.0"	3/4"
	7703	5 Hole - 12mm	5.0"	3/4"
	7705	6 Hole - 16mm	5.0"	3/4"
VERMEER	7602	7 Hole - 1/2" - 13	3.0"	3/4"
	7604	7 Hole - 1/2" - 13	4.0"	3/4"
	7606	7 Hole - 1/2" - 13	4.5"	3/4"
	7608	7 Hole - 1/2" - 13	5.0"	3/4"
	7610	7 Hole - 1/2" - 13	6.0"	3/4"



*Note: Other configurations available to order.

BACKREAMERS





Solid Body Spiral Fluted Backreamers			
(Replaceable Fluid Jets in 12" Model)			
MODEL NUMBER	CUT DIAMETER	PACK DIAMETER	DESCRIPTION
200111	4.5"	4.0"	2" IF (Box x Box) w/Conical Teeth
200112	6"	4.5"	2" IF (Box x Box) w/Shark Teeth
200113	6"	4.5"	2" IF (Box x Box) w/Rotary Teeth
200114	8"	6.0"	2-3/8" REG (Box x Box) w/Shark Teeth
200115	8"	6.0"	2-3/8" REG (Box x Box) w/Rotary Teeth
200116	10"	8.0"	2-3/8" REG (Box x Box) w/Shark Teeth
200117	10"	8.0"	2-3/8" REG (Box x Box) w/Rotary Teeth
200118	12"	10.0"	2-3/8" REG (Box x Box) w/Shark Teeth
200119	12"	10.0"	2-3/8" REG (Box x Box) w/Rotary Teeth



Solid Body Spiral Fluted Backreamers			
(Replaceable Fluid Jets in 12" Model)			
MODEL NUMBER	CUT DIAMETER	PACK DIAMETER	DESCRIPTION
200222	6"	4.5"	2" IF (Box x Swivel) w/Shark Teeth and 15K Swivel
200223	6"	4.5"	2" IF (Box x Swivel) w/Shark Teeth and 15K Swivel
200224	8"	6.0"	2-3/8" REG (Box x Swivel) w/Rotary Teeth and 15K Swivel
200225	8"	6.0"	2-3/8" REG (Box x Swivel) w/Shark Teeth and 20K Swivel
200226	10"	8.0"	2-3/8" REG (Box x Swivel) w/Shark Teeth and 20K Swivel
200227	10"	8.0"	2-3/8" REG (Box x Swivel) w/Rotary Teeth and 20K Swivel
200228	10"	8.0"	2-3/8" REG (Box x Swivel) w/Shark Teeth and 30K Swivel
200229	10"	8.0"	2-3/8" REG (Box x Swivel) w/Rotary Teeth and 30K Swivel
200230	12"	10.0"	2-3/8" REG (Box x Swivel) w/Shark Teeth and 20K Swivel
200231	12"	10.0"	2-3/8" REG (Box x Swivel) w/Rotary Teeth and 20K Swivel
200232	12"	10.0"	2-3/8" REG (Box x Swivel) w/Shark Teeth and 30K Swivel
200233	12"	10.0"	2-3/8" REG (Box x Swivel) w/Rotary Teeth and 30K Swivel



Shark Tooth



Conical Tooth

Replacement Carbide Reamer Cutters

MODEL NUMBER	Description
90101	# 1 ST, Small Shark Tooth - 1.250"ht.
90102	#2 ST, Medium Shark Tooth - 1.50"ht.
90201	# 1 C, Small Conical Tooth - .840"ht.
90202	#2 C, Medium Conical Tooth - 1.26"ht.

*Note: Other configurations available to order.



Cast Body Spiral Fluted Backreamers

MODEL NUMBER	CUT DIAMETER	PACK DIAMETER	DESCRIPTION
200301	6"	6"	2" IF (Box x Box) w/ Shark Teeth
200302	6"	6"	2" IF (Box x Box) w/ Rotary Teeth
200303	8"	6"	2" IF (Box x Box) w/ Shark Teeth
200304	8"	6"	2" IF (Box x Box) w/ Rotary Teeth
200305	8"	8"	2-3/8" REG (Box x Box) w/ Shark Teeth
200306	8"	8"	2-3/8" REG (Box x Box) w/ Rotary Teeth
200307	10"	8"	2-3/8" REG (Box x Box) w/ Shark Teeth
200308	10"	8"	2-3/8" REG (Box x Box) w/ Rotary Teeth
200309	10"	10"	2-3/8" REG (Box x Box) w/ Shark Teeth
200310	10"	10"	2-3/8" REG (Box x Box) w/ Rotary Teeth
200311	12"	10"	2-3/8" REG (Box x Box) w/ Shark Teeth
200312	12"	10"	2-3/8" REG (Box x Box) w/ Rotary Teeth
200313	10"	10"	2-7/8" REG (Box x Box) w/ Shark Teeth
200314	10"	10"	2-7/8" REG (Box x Box) w/ Rotary Teeth
200315	12"	10"	2-7/8" REG (Box x Box) w/ Shark Teeth
200316	12"	10"	2-7/8" REG (Box x Box) w/ Rotary Teeth
200317	12"	12"	2-3/8" REG (Box x Box) w/ Shark Teeth
200318	12"	12"	2-3/8" REG (Box x Box) w/ Rotary Teeth
200319	14"	12"	2-3/8" REG (Box x Box) w/ Shark Teeth
200320	14"	12"	2-3/8" REG (Box x Box) w/ Rotary Teeth
200321	12"	12"	2-7/8" REG (Box x Box) w/ Shark Teeth
200322	12"	12"	2-7/8" REG (Box x Box) w/ Rotary Teeth
200323	14"	12"	2-7/8" REG (Box x Box) w/ Shark Teeth
200324	14"	12"	2-7/8" REG (Box x Box) w/ Rotary Teeth
200325	14"	14"	2-3/8" REG (Box x Box) w/ Shark Teeth
200326	14"	14"	2-3/8" REG (Box x Box) w/ Rotary Teeth
200327	16"	14"	2-3/8" REG (Box x Box) w/ Shark Teeth
200328	16"	14"	2-3/8" REG (Box x Box) w/ Rotary Teeth
200329	14"	14"	2-7/8" REG (Box x Box) w/ Shark Teeth
200330	14"	14"	2-7/8" REG (Box x Box) w/ Rotary Teeth
200331	16"	14"	2-7/8" REG (Box x Box) w/ Shark Teeth
200332	16"	14"	2-7/8" REG (Box x Box) w/ Rotary Teeth
200333	16"	16"	2-3/8" REG (Box x Box) w/ Shark Teeth
200334	16"	16"	2-3/8" REG (Box x Box) w/ Rotary Teeth

Cast Body Spiral Fluted Backreamers-Continued



MODEL NUMBER	CUT DIAMETER	PACK DIAMETER	DESCRIPTION
200335	18"	16"	2-3/8" REG (Box x Box) w/ Shark Teeth
200336	18"	16"	2-3/8" REG (Box x Box) w/ Rotary Teeth
200337	16"	16"	2-7/8" REG (Box x Box) w/ Shark Teeth
200338	16"	16"	2-7/8" REG (Box x Box) w/ Rotary Teeth
200339	18"	16"	2-7/8" REG (Box x Box) w/ Shark Teeth
200340	18"	16"	2-7/8" REG (Box x Box) w/ Rotary Teeth
200341	18"	18"	2-3/8" REG (Box x Box) w/ Shark Teeth
200342	18"	18"	2-3/8" REG (Box x Box) w/ Rotary Teeth
200343	20"	18"	2-3/8" REG (Box x Box) w/ Shark Teeth
200344	20"	18"	2-3/8" REG (Box x Box) w/ Rotary Teeth
200345	18"	18"	2-7/8" REG (Box x Box) w/ Shark Teeth
200346	18"	18"	2-7/8" REG (Box x Box) w/ Rotary Teeth
200347	20"	18"	2-7/8" REG (Box x Box) w/ Shark Teeth
200348	20"	18"	2-7/8" REG (Box x Box) w/ Rotary Teeth
200349	20"	20"	2-3/8" REG (Box x Box) w/ Shark Teeth
200350	20"	20"	2-3/8" REG (Box x Box) w/ Rotary Teeth
200351	22"	20"	2-3/8" REG (Box x Box) w/ Shark Teeth
200352	22"	20"	2-3/8" REG (Box x Box) w/ Rotary Teeth
200353	20"	20"	2-7/8" REG (Box x Box) w/ Shark Teeth
200354	20"	20"	2-7/8" REG (Box x Box) w/ Rotary Teeth
200355	22"	20"	2-7/8" REG (Box x Box) w/ Shark Teeth
200356	22"	20"	2-7/8" REG (Box x Box) w/ Rotary Teeth
200357	22"	22"	2-3/8" REG (Box x Box) w/ Shark Teeth
200358	22"	22"	2-3/8" REG (Box x Box) w/ Rotary Teeth
200359	24"	22"	2-3/8" REG (Box x Box) w/ Shark Teeth
200360	24"	22"	2-3/8" REG (Box x Box) w/ Rotary Teeth
200361	22"	22"	2-7/8" REG (Box x Box) w/ Shark Teeth
200362	22"	22"	2-7/8" REG (Box x Box) w/ Rotary Teeth
200363	24"	22"	2-7/8" REG (Box x Box) w/ Shark Teeth
200364	24"	22"	2-7/8" REG (Box x Box) w/ Rotary Teeth
200365	24"	24"	2-3/8" REG (Box x Box) w/ Shark Teeth
200366	24"	24"	2-3/8" REG (Box x Box) w/ Rotary Teeth
200367	26"	24"	2-3/8" REG (Box x Box) w/ Shark Teeth
200368	26"	24"	2-3/8" REG (Box x Box) w/ Rotary Teeth
200369	24"	24"	2-7/8" REG (Box x Box) w/ Shark Teeth
200370	24"	24"	2-7/8" REG (Box x Box) w/ Rotary Teeth
200371	26"	24"	2-7/8" REG (Box x Box) w/ Shark Teeth
200372	26"	24"	2-7/8" REG (Box x Box) w/ Rotary Teeth

*Note: Other configurations available to order.

Cast Body Spiral Fluted Backreamers w/Pulling Eye



MODEL NUMBER	CUT DIAMETER	PACK DIAMETER	DESCRIPTION
200700	6"	6.0"	2" IF (Box x Pulling Eye) w/ Shark Teeth
200701	6"	6.0"	2" IF (Box x Pulling Eye) w/ Rotary Teeth
200702	8"	6.0"	2" IF (Box x Pulling Eye) w/ Shark Teeth
200703	8"	6.0"	2" IF (Box x Pulling Eye) w/ Rotary Teeth
200704	8"	8.0"	2-3/8" REG (Box x Pulling Eye) w/ Shark Teeth
200705	8"	8.0"	2-3/8" REG (Box x Pulling Eye) w/ Rotary Teeth
200706	10"	8.0"	2-3/8" REG (Box x Pulling Eye) w/ Shark Teeth
200707	10"	8.0"	2-3/8" REG (Box x Pulling Eye) w/ Rotary Teeth
200708	10"	10.0"	2-3/8" REG (Box x Pulling Eye) w/ Shark Teeth
200709	10"	10.0"	2-3/8" REG (Box x Pulling Eye) w/ Rotary Teeth
200710	12"	10.0"	2-3/8" REG (Box x Pulling Eye) w/ Shark Teeth
200711	12"	10.0"	2-3/8" REG (Box x Pulling Eye) w/ Rotary Teeth
200712	12"	12"	2-3/8" REG (Box x Pulling Eye) w/ Shark Teeth
200713	12"	12"	2-3/8" REG (Box x Pulling Eye) w/ Rotary Teeth
200714	14"	12"	2-3/8" REG (Box x Pulling Eye) w/ Shark Teeth
200715	14"	12"	2-3/8" REG (Box x Pulling Eye) w/ Rotary Teeth
200716	14"	14"	2-3/8" REG (Box x Pulling Eye) w/ Shark Teeth
200717	14"	14"	2-3/8" REG (Box x Pulling Eye) w/ Rotary Teeth
200718	16"	14"	2-3/8" REG (Box x Pulling Eye) w/ Shark Teeth
200719	16"	14"	2-3/8" REG (Box x Pulling Eye) w/ Rotary Teeth
200720	16"	16"	2-3/8" REG (Box x Pulling Eye) w/ Shark Teeth
200721	16"	16"	2-3/8" REG (Box x Pulling Eye) w/ Rotary Teeth
200722	18"	16"	2-3/8" REG (Box x Pulling Eye) w/ Shark Teeth
200723	18"	16"	2-3/8" REG (Box x Pulling Eye) w/ Rotary Teeth
200724	18"	18"	2-3/8" REG (Box x Pulling Eye) w/ Shark Teeth
200725	18"	18"	2-3/8" REG (Box x Pulling Eye) w/ Rotary Teeth
200726	20"	18"	2-3/8" REG (Box x Pulling Eye) w/ Shark Teeth
200727	20"	18"	2-3/8" REG (Box x Pulling Eye) w/ Rotary Teeth
200728	20"	20"	2-3/8" REG (Box x Pulling Eye) w/ Shark Teeth
200729	20"	20"	2-3/8" REG (Box x Pulling Eye) w/ Rotary Teeth
200730	22"	20"	2-3/8" REG (Box x Pulling Eye) w/ Shark Teeth
200731	22"	20"	2-3/8" REG (Box x Pulling Eye) w/ Rotary Teeth
200732	22"	22"	2-3/8" REG (Box x Pulling Eye) w/ Shark Teeth
200733	22"	22"	2-3/8" REG (Box x Pulling Eye) w/ Rotary Teeth
200734	24"	22"	2-3/8" REG (Box x Pulling Eye) w/ Shark Teeth
200735	24"	22"	2-3/8" REG (Box x Pulling Eye) w/ Rotary Teeth
200736	24"	24"	2-3/8" REG (Box x Pulling Eye) w/ Shark Teeth
200737	24"	24"	2-3/8" REG (Box x Pulling Eye) w/ Rotary Teeth
200738	26"	24"	2-3/8" REG (Box x Pulling Eye) w/ Shark Teeth
200739	26"	24"	2-3/8" REG (Box x Pulling Eye) w/ Rotary Teeth
200740	10"	10.0"	2-7/8" REG (Box x Pulling Eye) w/ Shark Teeth

Cast Body Spiral Fluted Backreamers w/Pulling Eye-Continued

MODEL NUMBER	CUT DIAMETER	PACK DIAMETER	DESCRIPTION
200741	10"	10.0"	2-7/8" REG (Box x Pulling Eye) w/ Rotary Teeth
200742	12"	10.0"	2-7/8" REG (Box x Pulling Eye) w/ Shark Teeth
200743	12"	10.0"	2-7/8" REG (Box x Pulling Eye) w/ Rotary Teeth
200744	12"	12"	2-7/8" REG (Box x Pulling Eye) w/ Shark Teeth
200745	12"	12"	2-7/8" REG (Box x Pulling Eye) w/ Rotary Teeth
200746	14"	12"	2-7/8" REG (Box x Pulling Eye) w/ Shark Teeth
200747	14"	12"	2-7/8" REG (Box x Pulling Eye) w/ Rotary Teeth
200748	14"	14"	2-7/8" REG (Box x Pulling Eye) w/ Shark Teeth
200749	14"	14"	2-7/8" REG (Box x Pulling Eye) w/ Rotary Teeth
200750	16"	14"	2-7/8" REG (Box x Pulling Eye) w/ Shark Teeth
200751	16"	14"	2-7/8" REG (Box x Pulling Eye) w/ Rotary Teeth
200752	16"	16"	2-7/8" REG (Box x Pulling Eye) w/ Shark Teeth
200753	16"	16"	2-7/8" REG (Box x Pulling Eye) w/ Rotary Teeth
200754	18"	16"	2-7/8" REG (Box x Pulling Eye) w/ Shark Teeth
200755	18"	16"	2-7/8" REG (Box x Pulling Eye) w/ Rotary Teeth
200756	18"	18"	2-7/8" REG (Box x Pulling Eye) w/ Shark Teeth
200757	18"	18"	2-7/8" REG (Box x Pulling Eye) w/ Rotary Teeth
200758	20"	18"	2-7/8" REG (Box x Pulling Eye) w/ Shark Teeth
200759	20"	18"	2-7/8" REG (Box x Pulling Eye) w/ Rotary Teeth
200760	20"	20"	2-7/8" REG (Box x Pulling Eye) w/ Shark Teeth
200761	20"	20"	2-7/8" REG (Box x Pulling Eye) w/ Rotary Teeth
200762	22"	20"	2-7/8" REG (Box x Pulling Eye) w/ Shark Teeth
200763	22"	20"	2-7/8" REG (Box x Pulling Eye) w/ Rotary Teeth
200764	22"	22"	2-7/8" REG (Box x Pulling Eye) w/ Shark Teeth
200765	22"	22"	2-7/8" REG (Box x Pulling Eye) w/ Rotary Teeth
200766	24"	22"	2-7/8" REG (Box x Pulling Eye) w/ Shark Teeth
200767	24"	22"	2-7/8" REG (Box x Pulling Eye) w/ Rotary Teeth
200768	24"	24"	2-7/8" REG (Box x Pulling Eye) w/ Shark Teeth
200769	24"	24"	2-7/8" REG (Box x Pulling Eye) w/ Rotary Teeth
200770	26"	24"	2-7/8" REG (Box x Pulling Eye) w/ Shark Teeth
200771	26"	24"	2-7/8" REG (Box x Pulling Eye) w/ Rotary Teeth



*Note: Other configurations available to order.



Cast Body Spiral Fluted Backreamers w/Bolt-On Swivel

MODEL NUMBER	CUT DIAMETER	PACK DIAMETER	DESCRIPTION
200401	6"	6.0"	2" IF (Box x Swivel) w/ Shark Teeth and 20K Swivel
200402	6"	6.0"	2" IF (Box x Swivel) w/ Rotary Teeth and 20K Swivel
200403	8"	6.0"	2" IF (Box x Swivel) w/ Shark Teeth and 20K Swivel
200404	8"	6.0"	2" IF (Box x Swivel) w/ Rotary Teeth and 20K Swivel
200405	6"	6.0"	2" IF (Box x Swivel) w/ Shark Teeth and 30K Swivel
200406	6"	6.0"	2" IF (Box x Swivel) w/ Rotary Teeth and 30K Swivel
200407	8"	6.0"	2" IF (Box x Swivel) w/ Shark Teeth and 30K Swivel
200408	8"	6.0"	2" IF (Box x Swivel) w/ Rotary Teeth and 30K Swivel
200409	6"	6.0"	2" IF (Box x Swivel) w/ Shark Teeth and 40K Swivel
200410	6"	6.0"	2" IF (Box x Swivel) w/ Rotary Teeth and 40K Swivel
200411	8"	6.0"	2" IF (Box x Swivel) w/ Shark Teeth and 40K Swivel
200412	8"	6.0"	2" IF (Box x Swivel) w/ Rotary Teeth and 40K Swivel
200413	8"	8.0"	2-3/8" REG (Box x Swivel) w/ Shark Teeth and 20K Swivel
200414	8"	8.0"	2-3/8" REG (Box x Swivel) w/ Rotary Teeth and 20K Swivel
200415	10"	8.0"	2-3/8" REG (Box x Swivel) w/ Shark Teeth and 20K Swivel
200416	10"	8.0"	2-3/8" REG (Box x Swivel) w/ Rotary Teeth and 20K Swivel
200417	8"	8.0"	2-3/8" REG (Box x Swivel) w/ Shark Teeth and 30K Swivel
200418	8"	8.0"	2-3/8" REG (Box x Swivel) w/ Rotary Teeth and 30K Swivel
200419	10"	8.0"	2-3/8" REG (Box x Swivel) w/ Shark Teeth and 30K Swivel
200420	10"	8.0"	2-3/8" REG (Box x Swivel) w/ Rotary Teeth and 30K Swivel
200421	8"	8.0"	2-3/8" REG (Box x Swivel) w/ Shark Teeth and 40K Swivel
200422	8"	8.0"	2-3/8" REG (Box x Swivel) w/ Rotary Teeth and 40K Swivel
200423	10"	8.0"	2-3/8" REG (Box x Swivel) w/ Shark Teeth and 40K Swivel
200424	10"	8.0"	2-3/8" REG (Box x Swivel) w/ Rotary Teeth and 40K Swivel
200425	10"	10.0"	2-3/8" REG (Box x Swivel) w/ Shark Teeth and 20K Swivel
200426	10"	10.0"	2-3/8" REG (Box x Swivel) w/ Rotary Teeth and 20K Swivel
200427	12"	10.0"	2-3/8" REG (Box x Swivel) w/ Shark Teeth and 20K Swivel
200428	12"	10.0"	2-3/8" REG (Box x Swivel) w/ Rotary Teeth and 20K Swivel
200429	10"	10.0"	2-3/8" REG (Box x Swivel) w/ Shark Teeth and 30K Swivel
200430	10"	10.0"	2-3/8" REG (Box x Swivel) w/ Rotary Teeth and 30K Swivel
200431	12"	10.0"	2-3/8" REG (Box x Swivel) w/ Shark Teeth and 30K Swivel
200432	12"	10.0"	2-3/8" REG (Box x Swivel) w/ Rotary Teeth and 30K Swivel
200433	10"	10.0"	2-3/8" REG (Box x Swivel) w/ Shark Teeth and 40K Swivel
200434	10"	10.0"	2-3/8" REG (Box x Swivel) w/ Rotary Teeth and 40K Swivel
200435	12"	10.0"	2-3/8" REG (Box x Swivel) w/ Shark Teeth and 40K Swivel
200436	12"	10.0"	2-3/8" REG (Box x Swivel) w/ Rotary Teeth and 40K Swivel
200437	10"	10.0"	2-7/8" REG (Box x Swivel) w/ Shark Teeth and 60K Swivel
200438	10"	10.0"	2-7/8" REG (Box x Swivel) w/ Rotary Teeth and 60K Swivel
200439	12"	10.0"	2-7/8" REG (Box x Swivel) w/ Shark Teeth and 60K Swivel
200440	12"	10.0"	2-7/8" REG (Box x Swivel) w/ Rotary Teeth and 60K Swivel
200441	10"	10.0"	2-7/8" REG (Box x Swivel) w/ Shark Teeth and 90K Swivel



Cast Body Spiral Fluted Backreamers w/Bolt-On Swivel-Continued

MODEL NUMBER	CUT DIAMETER	PACK DIAMETER	DESCRIPTION
200442	10"	10.0"	2-7/8" REG (Box x Swivel) w/ Rotary Teeth and 90K Swivel
200443	12"	10.0"	2-7/8" REG (Box x Swivel) w/ Shark Teeth and 90K Swivel
200444	12"	10.0"	2-7/8" REG (Box x Swivel) w/ Rotary Teeth and 90K Swivel
200445	12"	12"	2-3/8" REG (Box x Swivel) w/ Shark Teeth and 20K Swivel
200446	12"	12"	2-3/8" REG (Box x Swivel) w/ Rotary Teeth and 20K Swivel
200447	14"	12"	2-3/8" REG (Box x Swivel) w/ Shark Teeth and 20K Swivel
200448	14"	12"	2-3/8" REG (Box x Swivel) w/ Rotary Teeth and 20K Swivel
200449	12"	12"	2-3/8" REG (Box x Swivel) w/ Shark Teeth and 30K Swivel
200450	12"	12"	2-3/8" REG (Box x Swivel) w/ Rotary Teeth and 30K Swivel
200451	14"	12"	2-3/8" REG (Box x Swivel) w/ Shark Teeth and 30K Swivel
200452	14"	12"	2-3/8" REG (Box x Swivel) w/ Rotary Teeth and 30K Swivel
200453	12"	12"	2-3/8" REG (Box x Swivel) w/ Shark Teeth and 40K Swivel
200454	12"	12"	2-3/8" REG (Box x Swivel) w/ Rotary Teeth and 40K Swivel
200455	14"	12"	2-3/8" REG (Box x Swivel) w/ Shark Teeth and 40K Swivel
200456	14"	12"	2-3/8" REG (Box x Swivel) w/ Rotary Teeth and 40K Swivel
200457	12"	12"	2-7/8" REG (Box x Swivel) w/ Shark Teeth and 60K Swivel
200458	12"	12"	2-7/8" REG (Box x Swivel) w/ Rotary Teeth and 60K Swivel
200459	14"	12"	2-7/8" REG (Box x Swivel) w/ Shark Teeth and 60K Swivel
200460	14"	12"	2-7/8" REG (Box x Swivel) w/ Rotary Teeth and 60K Swivel
200461	12"	12"	2-7/8" REG (Box x Swivel) w/ Shark Teeth and 90K Swivel
200462	12"	12"	2-7/8" REG (Box x Swivel) w/ Rotary Teeth and 90K Swivel
200463	14"	12"	2-7/8" REG (Box x Swivel) w/ Shark Teeth and 90K Swivel
200464	14"	12"	2-7/8" REG (Box x Swivel) w/ Rotary Teeth and 90K Swivel
200465	14"	14"	2-3/8" REG (Box x Swivel) w/ Shark Teeth and 20K Swivel
200466	14"	14"	2-3/8" REG (Box x Swivel) w/ Rotary Teeth and 20K Swivel
200467	16"	14"	2-3/8" REG (Box x Swivel) w/ Shark Teeth and 20K Swivel
200468	16"	14"	2-3/8" REG (Box x Swivel) w/ Rotary Teeth and 20K Swivel
200469	14"	14"	2-3/8" REG (Box x Swivel) w/ Shark Teeth and 30K Swivel
200470	14"	14"	2-3/8" REG (Box x Swivel) w/ Rotary Teeth and 30K Swivel
200471	16"	14"	2-3/8" REG (Box x Swivel) w/ Shark Teeth and 30K Swivel
200472	16"	14"	2-3/8" REG (Box x Swivel) w/ Rotary Teeth and 30K Swivel
200473	14"	14"	2-3/8" REG (Box x Swivel) w/ Shark Teeth and 40K Swivel
200474	14"	14"	2-3/8" REG (Box x Swivel) w/ Rotary Teeth and 40K Swivel
200475	16"	14"	2-3/8" REG (Box x Swivel) w/ Shark Teeth and 40K Swivel
200476	16"	14"	2-3/8" REG (Box x Swivel) w/ Rotary Teeth and 40K Swivel
200477	14"	14"	2-7/8" REG (Box x Swivel) w/ Shark Teeth and 60K Swivel
200478	14"	14"	2-7/8" REG (Box x Swivel) w/ Rotary Teeth and 60K Swivel
200479	16"	14"	2-7/8" REG (Box x Swivel) w/ Shark Teeth and 60K Swivel
200480	16"	14"	2-7/8" REG (Box x Swivel) w/ Rotary Teeth and 60K Swivel
200481	14"	14"	2-7/8" REG (Box x Swivel) w/ Shark Teeth and 90K Swivel
200482	14"	14"	2-7/8" REG (Box x Swivel) w/ Rotary Teeth and 90K Swivel

*Note: Other configurations available to order.



Cast Body Spiral Fluted Backreamers w/Bolt-On Swivel-Continued

MODEL NUMBER	CUT DIAMETER	PACK DIAMETER	DESCRIPTION
200483	16"	14"	2-7/8" REG (Box x Swivel) w/ Shark Teeth and 90K Swivel
200484	16"	14"	2-7/8" REG (Box x Swivel) w/ Rotary Teeth and 90K Swivel
200485	16"	16"	2-3/8" REG (Box x Swivel) w/ Shark Teeth and 20K Swivel
200486	16"	16"	2-3/8" REG (Box x Swivel) w/ Rotary Teeth and 20K Swivel
200487	18"	16"	2-3/8" REG (Box x Swivel) w/ Shark Teeth and 20K Swivel
200488	18"	16"	2-3/8" REG (Box x Swivel) w/ Rotary Teeth and 20K Swivel
200489	16"	16"	2-3/8" REG (Box x Swivel) w/ Shark Teeth and 30K Swivel
200490	16"	16"	2-3/8" REG (Box x Swivel) w/ Rotary Teeth and 30K Swivel
200491	18"	16"	2-3/8" REG (Box x Swivel) w/ Shark Teeth and 30K Swivel
200492	18"	16"	2-3/8" REG (Box x Swivel) w/ Rotary Teeth and 30K Swivel
200493	16"	16"	2-3/8" REG (Box x Swivel) w/ Shark Teeth and 40K Swivel
200494	16"	16"	2-3/8" REG (Box x Swivel) w/ Rotary Teeth and 40K Swivel
200495	18"	16"	2-3/8" REG (Box x Swivel) w/ Shark Teeth and 40K Swivel
200496	18"	16"	2-3/8" REG (Box x Swivel) w/ Rotary Teeth and 40K Swivel
200497	16"	16"	2-7/8" REG (Box x Swivel) w/ Shark Teeth and 60K Swivel
200498	16"	16"	2-7/8" REG (Box x Swivel) w/ Rotary Teeth and 60K Swivel
200499	18"	16"	2-7/8" REG (Box x Swivel) w/ Shark Teeth and 60K Swivel
200500	18"	16"	2-7/8" REG (Box x Swivel) w/ Rotary Teeth and 60K Swivel
200501	16"	16"	2-7/8" REG (Box x Swivel) w/ Shark Teeth and 90K Swivel
200502	16"	16"	2-7/8" REG (Box x Swivel) w/ Rotary Teeth and 90K Swivel
200503	18"	16"	2-7/8" REG (Box x Swivel) w/ Shark Teeth and 90K Swivel
200504	18"	16"	2-7/8" REG (Box x Swivel) w/ Rotary Teeth and 90K Swivel
200505	18"	16"	2-3/8" REG (Box x Swivel) w/ Shark Teeth and 20K Swivel
200506	18"	18"	2-3/8" REG (Box x Swivel) w/ Rotary Teeth and 20K Swivel
200507	20"	18"	2-3/8" REG (Box x Swivel) w/ Shark Teeth and 20K Swivel
200508	20"	18"	2-3/8" REG (Box x Swivel) w/ Rotary Teeth and 20K Swivel
200509	18"	18"	2-3/8" REG (Box x Swivel) w/ Shark Teeth and 30K Swivel
200510	18"	18"	2-3/8" REG (Box x Swivel) w/ Rotary Teeth and 30K Swivel
200511	20"	18"	2-3/8" REG (Box x Swivel) w/ Shark Teeth and 30K Swivel
200512	20"	18"	2-3/8" REG (Box x Swivel) w/ Rotary Teeth and 30K Swivel
200513	18"	18"	2-3/8" REG (Box x Swivel) w/ Shark Teeth and 40K Swivel
200514	18"	18"	2-3/8" REG (Box x Swivel) w/ Rotary Teeth and 40K Swivel
200515	20"	18"	2-3/8" REG (Box x Swivel) w/ Shark Teeth and 40K Swivel
200516	20"	18"	2-3/8" REG (Box x Swivel) w/ Rotary Teeth and 40K Swivel
200517	18"	18"	2-7/8" REG (Box x Swivel) w/ Shark Teeth and 60K Swivel
200518	18"	18"	2-7/8" REG (Box x Swivel) w/ Rotary Teeth and 60K Swivel
200519	20"	18"	2-7/8" REG (Box x Swivel) w/ Shark Teeth and 60K Swivel
200520	20"	18"	2-7/8" REG (Box x Swivel) w/ Rotary Teeth and 60K Swivel
200521	18"	18"	2-7/8" REG (Box x Swivel) w/ Shark Teeth and 90K Swivel
200522	18"	18"	2-7/8" REG (Box x Swivel) w/ Rotary Teeth and 90K Swivel
200523	20"	18"	2-7/8" REG (Box x Swivel) w/ Shark Teeth and 90K Swivel



Cast Body Spiral Fluted Backreamers w/Bolt-On Swivel-Continued

MODEL NUMBER	CUT DIAMETER	PACK DIAMETER	DESCRIPTION
200524	20"	18"	2-7/8" REG (Box x Swivel) w/ Rotary Teeth and 90K Swivel
200525	20"	20"	2-3/8" REG (Box x Swivel) w/ Shark Teeth and 20K Swivel
200526	20"	20"	2-3/8" REG (Box x Swivel) w/ Rotary Teeth and 20K Swivel
200527	22"	20"	2-3/8" REG (Box x Swivel) w/ Shark Teeth and 20K Swivel
200528	22"	20"	2-3/8" REG (Box x Swivel) w/ Rotary Teeth and 20K Swivel
200529	20"	20"	2-3/8" REG (Box x Swivel) w/ Shark Teeth and 30K Swivel
200530	20"	20"	2-3/8" REG (Box x Swivel) w/ Rotary Teeth and 30K Swivel
200531	22"	20"	2-3/8" REG (Box x Swivel) w/ Shark Teeth and 30K Swivel
200532	22"	20"	2-3/8" REG (Box x Swivel) w/ Rotary Teeth and 30K Swivel
200533	20"	20"	2-3/8" REG (Box x Swivel) w/ Shark Teeth and 40K Swivel
200534	20"	20"	2-3/8" REG (Box x Swivel) w/ Rotary Teeth and 40K Swivel
200535	22"	20"	2-3/8" REG (Box x Swivel) w/ Shark Teeth and 40K Swivel
200536	22"	20"	2-3/8" REG (Box x Swivel) w/ Rotary Teeth and 40K Swivel
200537	20"	20"	2-7/8" REG (Box x Swivel) w/ Shark Teeth and 60K Swivel
200538	20"	20"	2-7/8" REG (Box x Swivel) w/ Rotary Teeth and 60K Swivel
200539	22"	20"	2-7/8" REG (Box x Swivel) w/ Shark Teeth and 60K Swivel
200540	22"	20"	2-7/8" REG (Box x Swivel) w/ Rotary Teeth and 60K Swivel
200541	20"	20"	2-7/8" REG (Box x Swivel) w/ Shark Teeth and 90K Swivel
200542	20"	20"	2-7/8" REG (Box x Swivel) w/ Rotary Teeth and 90K Swivel
200543	22"	20"	2-7/8" REG (Box x Swivel) w/ Shark Teeth and 90K Swivel
200544	22"	20"	2-7/8" REG (Box x Swivel) w/ Rotary Teeth and 90K Swivel
200545	22"	22"	2-3/8" REG (Box x Swivel) w/ Shark Teeth and 20K Swivel
200546	22"	22"	2-3/8" REG (Box x Swivel) w/ Rotary Teeth and 20K Swivel
200547	24"	22"	2-3/8" REG (Box x Swivel) w/ Shark Teeth and 20K Swivel
200548	24"	22"	2-3/8" REG (Box x Swivel) w/ Rotary Teeth and 20K Swivel
200549	22"	22"	2-3/8" REG (Box x Swivel) w/ Shark Teeth and 30K Swivel
200550	22"	22"	2-3/8" REG (Box x Swivel) w/ Rotary Teeth and 30K Swivel
200551	24"	22"	2-3/8" REG (Box x Swivel) w/ Shark Teeth and 30K Swivel
200552	24"	22"	2-3/8" REG (Box x Swivel) w/ Rotary Teeth and 30K Swivel
200553	22"	22"	2-3/8" REG (Box x Swivel) w/ Shark Teeth and 40K Swivel
200554	22"	22"	2-3/8" REG (Box x Swivel) w/ Rotary Teeth and 40K Swivel
200555	24"	22"	2-3/8" REG (Box x Swivel) w/ Shark Teeth and 40K Swivel
200556	24"	22"	2-3/8" REG (Box x Swivel) w/ Rotary Teeth and 40K Swivel
200557	22"	22"	2-7/8" REG (Box x Swivel) w/ Shark Teeth and 60K Swivel
200558	22"	22"	2-7/8" REG (Box x Swivel) w/ Rotary Teeth and 60K Swivel
200559	24"	22"	2-7/8" REG (Box x Swivel) w/ Shark Teeth and 60K Swivel
200560	24"	22"	2-7/8" REG (Box x Swivel) w/ Rotary Teeth and 60K Swivel
200561	22"	22"	2-7/8" REG (Box x Swivel) w/ Shark Teeth and 90K Swivel
200562	22"	22"	2-7/8" REG (Box x Swivel) w/ Rotary Teeth and 90K Swivel
200563	24"	22"	2-7/8" REG (Box x Swivel) w/ Shark Teeth and 90K Swivel
200564	24"	22"	2-7/8" REG (Box x Swivel) w/ Rotary Teeth and 90K Swivel

*Note: Other configurations available to order.



Cast Body Spiral Fluted Backreamers w/Bolt-On Swivel-Continued

MODEL NUMBER	CUT DIAMETER	PACK DIAMETER	DESCRIPTION
200565	24"	24"	2-3/8" REG (Box x Swivel) w/ Shark Teeth and 20K Swivel
200566	24"	24"	2-3/8" REG (Box x Swivel) w/ Rotary Teeth and 20K Swivel
200567	26"	24"	2-3/8" REG (Box x Swivel) w/ Shark Teeth and 20K Swivel
200568	26"	24"	2-3/8" REG (Box x Swivel) w/ Rotary Teeth and 20K Swivel
200569	24"	24"	2-3/8" REG (Box x Swivel) w/ Shark Teeth and 30K Swivel
200570	24"	24"	2-3/8" REG (Box x Swivel) w/ Rotary Teeth and 30K Swivel
200571	26"	24"	2-3/8" REG (Box x Swivel) w/ Shark Teeth and 30K Swivel
200572	26"	24"	2-3/8" REG (Box x Swivel) w/ Rotary Teeth and 30K Swivel
200573	24"	24"	2-3/8" REG (Box x Swivel) w/ Shark Teeth and 40K Swivel
200574	24"	24"	2-3/8" REG (Box x Swivel) w/ Rotary Teeth and 40K Swivel
200575	26"	24"	2-3/8" REG (Box x Swivel) w/ Shark Teeth and 40K Swivel
200576	26"	24"	2-3/8" REG (Box x Swivel) w/ Rotary Teeth and 40K Swivel
200577	24"	24"	2-7/8" REG (Box x Swivel) w/ Shark Teeth and 60K Swivel
200578	24"	24"	2-7/8" REG (Box x Swivel) w/ Rotary Teeth and 60K Swivel
200579	26"	24"	2-7/8" REG (Box x Swivel) w/ Shark Teeth and 60K Swivel
200580	26"	24"	2-7/8" REG (Box x Swivel) w/ Rotary Teeth and 60K Swivel
200581	24"	24"	2-7/8" REG (Box x Swivel) w/ Shark Teeth and 90K Swivel
200582	24"	24"	2-7/8" REG (Box x Swivel) w/ Rotary Teeth and 90K Swivel
200583	26"	24"	2-7/8" REG (Box x Swivel) w/ Shark Teeth and 90K Swivel
200584	26"	24"	2-7/8" REG (Box x Swivel) w/ Rotary Teeth and 90K Swivel

Stacked Spiral Fluted Backreamers (Stacked Plate Reamer w/Shark Teeth - API (Box x Box)

Size Range: 10.0" - 54.0" Dia. Shaft Dia.: 3.25"

MODEL NUMBER	CUT DIAMETER	PACK DIAMETER	SHAFT DIAMETER	DESCRIPTION
350111	10"	8"	3.25"	2-3/8" REG (Box x Box) w/Shark Teeth
350112	12"	10"	3.25"	2-3/8" REG (Box x Box) w/Shark Teeth
350113	12"	10"	4.25"	2-7/8" IF (Box x Box) w/Shark Teeth
350114	14"	12"	3.25"	2-3/8" REG (Box x Box) w/Shark Teeth
350115	14"	12"	4.25"	2-7/8" IF (Box x Box) w/Shark Teeth
350116	16"	14"	3.25"	2-3/8" REG (Box x Box) w/Shark Teeth
350117	16"	14"	4.25"	2-7/8" IF (Box x Box) w/Shark Teeth
350118	18"	16"	3.25"	2-3/8" REG (Box x Box) w/Shark Teeth
350119	18"	16"	4.25"	2-7/8" IF (Box x Box) w/Shark Teeth
350120	20"	18"	3.25"	2-3/8" REG (Box x Box) w/Shark Teeth
350121	20"	18"	4.25"	2-7/8" IF (Box x Box) w/Shark Teeth
350122	22"	20"	3.25"	2-3/8" REG (Box x Box) w/Shark Teeth
350123	22"	20"	4.25"	2-7/8" IF (Box x Box) w/Shark Teeth
350124	24"	22"	3.25"	2-3/8" REG (Box x Box) w/Shark Teeth
350125	24"	22"	4.25"	2-7/8" IF (Box x Box) w/Shark Teeth
350126	26"	24"	4.25"	2-7/8" IF (Box x Box) w/Shark Teeth
350127	28"	26"	4.25"	2-7/8" IF (Box x Box) w/Shark Teeth
350128	30"	28"	4.25"	2-7/8" IF (Box x Box) w/Shark Teeth
350129	30"	28"	4.75"	3-1/2" IF (Box x Box) w/Shark Teeth
350130	32"	30"	4.25"	2-7/8" IF (Box x Box) w/Shark Teeth
350131	32"	30"	4.75"	3-1/2" IF (Box x Box) w/Shark Teeth
350132	34"	32"	4.25"	2-7/8" IF (Box x Box) w/Shark Teeth
350133	34"	32"	4.75"	3-1/2" IF (Box x Box) w/Shark Teeth
350134	36"	34"	4.75"	2-7/8" IF (Box x Box) w/Shark Teeth
350135	36"	34"	4.75"	3-1/2" IF (Box x Box) w/Shark Teeth



Shark Tooth



Conical Tooth

Replacement Carbide Reamer Cutters

MODEL NUMBER	Description
90101	# 1 ST, Small Shark Tooth - 1.250"ht.
90102	#2 ST, Medium Shark Tooth - 1.50"ht.
90201	# 1 C, Small Conical Tooth - .840"ht.
90202	#2 C, Medium Conical Tooth - 1.26"ht.



*Note: Other configurations available to order.

Winged Backreamers

3-Winged Reamer (Fly-Cutter) - API (Box x Box)

MODEL NUMBER	CUT DIAMETER	PACK DIAMETER	SHAFT DIAMETER	DESCRIPTION
450111	8"	N/A	2.75"	2" IF (Box x Box) w/Shark Teeth
450112	10"	N/A	2.75"	2" IF (Box x Box) w/Shark Teeth
450113	12"	N/A	2.75"	2" IF (Box x Box) w/Shark Teeth
450114	12"	N/A	3.25"	2-3/8" REG (Box x Box) w/Shark Teeth
450115	14"	N/A	2.75"	2" IF (Box x Box) w/Shark Teeth
450116	14"	N/A	3.25"	2-3/8" REG (Box x Box) w/Shark Teeth
450117	16"	N/A	2.75"	2" IF (Box x Box) w/Shark Teeth
450118	16"	N/A	3.25"	2-3/8" REG (Box x Box) w/Shark Teeth
450119	18"	16.5"	2.75"	2" IF (Box x Box) w/Shark Teeth
450120	18"	16.5"	3.25"	2-3/8" REG (Box x Box) w/Shark Teeth
450121	20"	18.5"	3.25"	2-3/8" REG (Box x Box) w/Shark Teeth
450122	20"	18.5"	4.25"	2-3/8" REG (Box x Box) w/Shark Teeth
450123	22"	20.5"	3.25"	2-7/8" IF (Box x Box) w/Shark Teeth
450124	22"	20.5"	4.25"	2-3/8" REG (Box x Box) w/Shark Teeth
450125	24"	22.5"	3.25"	2-7/8" IF (Box x Box) w/Shark Teeth
450126	24"	22.5"	4.25"	2-7/8" IF (Box x Box) w/Shark Teeth
450127	26"	24.5"	3.25"	2-7/8" IF (Box x Box) w/Shark Teeth
450128	26"	24.5"	4.25"	2-7/8" IF (Box x Box) w/Shark Teeth
450129	26"	24.5"	4.75"	2-7/8" IF (Box x Box) w/Shark Teeth
450130	28"	26.5"	3.25"	2-3/8" REG (Box x Box) w/Shark Teeth
450131	28"	26.5"	4.25"	2-7/8" IF (Box x Box) w/Shark Teeth
450132	38"	26.5"	4.75"	3-1/2" IF (Box x Box) w/Shark Teeth
450133	30"	28.5"	4.25"	2-7/8" IF (Box x Box) w/Shark Teeth
450134	30"	28.5"	4.75"	3-1/2" IF (Box x Box) w/Shark Teeth
450135	32"	30.5"	4.25"	2-7/8" IF (Box x Box) w/Shark Teeth
450136	32"	30.5"	4.75"	3-1/2" IF (Box x Box) w/Shark Teeth
450137	34"	32.5"	4.25"	2-7/8" IF (Box x Box) w/Shark Teeth
450138	34"	32.5"	4.75"	3-1/2" IF (Box x Box) w/Shark Teeth
450139	36"	34.5"	4.25"	2-7/8" IF (Box x Box) w/Shark Teeth
450140	36"	34.5"	4.75"	3-1/2" IF (Box x Box) w/Shark Teeth

***Note:** A "Spider" center support and stabilizer ring are standard on 18" and larger reamers. Additional sizes and configurations (extra wings, cutters, wide stabilizer rings, etc.) are available upon request.



Sand Backreamers

3-Winged Reamer (Fly-Cutter) - API (Box x Box)

MODEL NUMBER	CUT DIAMETER	PACK DIAMETER	SHAFT DIAMETER	DESCRIPTION
500111	6"	4.5"	2.75"	2" IF (Box x Box) w/Conical Carbide Blocks
500112	8"	6.6"	2.75"	2" IF (Box x Box) w/Conical Carbide Blocks
500113	10"	8.6"	2.75"	2" IF (Box x Box) w/Conical Carbide Blocks
500114	10"	10.8"	3.25"	2-3/8" REG (Box x Box) w/Conical Carbide Blocks
500115	12"	10.8"	2.75"	2" IF (Box x Box) w/Conical Carbide Blocks
500116	12"	12.8"	3.25"	2-3/8" REG (Box x Box) w/Conical Carbide Blocks
500117	14"	12.8"	2.75"	2" IF (Box x Box) w/Conical Carbide Blocks
500118	14"	14"	3.25"	2-3/8" REG (Box x Box) w/Conical Carbide Blocks
500119	16"	14"	2.75"	2" IF (Box x Box) w/Conical Carbide Blocks
500120	16"	16"	3.25"	2-3/8" REG (Box x Box) w/Conical Carbide Blocks
500121	18"	16"	2.75"	2" IF (Box x Box) w/Conical Carbide Blocks
500122	18"	16"	3.25"	2-3/8" REG (Box x Box) w/Conical Carbide Blocks
500123	18"	16"	4.25"	2-7/8" IF (Box x Box) w/Conical Carbide Blocks
500124	20"	18"	3.25"	2-3/8" REG (Box x Box) w/Conical Carbide Blocks
500125	20"	18.5"	4.25"	2-7/8" IF (Box x Box) w/Conical Carbide Blocks
500126	24"	20"	3.25"	2-3/8" REG (Box x Box) w/Conical Carbide Blocks
500127	24"	20"	4.25"	2-7/8" IF (Box x Box) w/Conical Carbide Blocks
500128	24"	20"	4.75"	3-1/2" IF (Box x Box) w/Conical Carbide Blocks
500129	28"	24"	4.25"	2-7/8" IF (Box x Box) w/Conical Carbide Blocks
500130	28"	24"	4.75"	3-1/2" IF (Box x Box) w/Conical Carbide Blocks
500131	32"	28"	4.25"	2-7/8" IF (Box x Box) w/Conical Carbide Blocks
500132	32"	28"	4.75"	3-1/2" IF (Box x Box) w/Conical Carbide Blocks
500133	36"	30"	4.25"	2-7/8" IF (Box x Box) w/Conical Carbide Blocks
500134	36"	30"	4.75"	3-1/2" IF (Box x Box) w/Conical Carbide Blocks



*Note: Other configurations available to order.

Clay Reamers W/Conical Teeth - API (Box x Box)

Size Range: 6.0" - 60.0" Dia. Shaft Dia.: 2.75" - 6.75"

MODEL NUMBER	CUT DIAMETER	SHAFT DIAMETER	DESCRIPTION
300111	6"	2.75"	2" IF (Box x Box) w/Conical Teeth
300112	8"	2.75"	2" IF (Box x Box) w/Conical Teeth
300113	8"	3.25"	2-3/8" REG (Box x Box) w/Conical Teeth
300114	10"	2.75"	2" IF (Box x Box) w/Conical Teeth
300115	10"	3.25"	2-3/8" REG (Box x Box) w/Conical Teeth
300116	10"	2.75"	2" IF (Box x Box) w/Conical Teeth
300117	12"	3.25"	2-3/8" REG (Box x Box) w/Conical Teeth
300118	14"	2.75"	2" IF (Box x Box) w/Conical Teeth
300119	14"	3.25"	2-3/8" REG (Box x Box) w/Conical Teeth
300120	16"	2.75"	2" IF (Box x Box) w/Conical Teeth
300121	16"	3.25"	2-3/8" REG (Box x Box) w/Conical Teeth
300122	18"	2.75"	2" IF (Box x Box) w/Conical Teeth
300123	18"	3.25"	2-3/8" REG (Box x Box) w/Conical Teeth
300124	20"	3.25"	2-3/8" REG (Box x Box) w/Conical Teeth
300125	20"	4.25"	2-7/8" IF (Box x Box) w/Conical Teeth
300126	22"	3.25"	2-3/8" REG (Box x Box) w/Conical Teeth
300127	22"	4.25"	2-7/8" IF (Box x Box) w/Conical Teeth
300128	24"	3.25"	2-3/8" REG (Box x Box) w/Conical Teeth
300129	24"	4.25"	2-7/8" IF (Box x Box) w/Conical Teeth
300130	26"	3.25"	2-3/8" REG (Box x Box) w/Conical Teeth
300131	26"	4.25"	2-7/8" IF (Box x Box) w/Conical Teeth
300132	28"	3.25"	2-3/8" REG (Box x Box) w/Conical Teeth
300133	28"	4.25"	2-7/8" IF (Box x Box) w/Conical Teeth
300134	30"	4.25"	2-7/8" IF (Box x Box) w/Conical Teeth
300135	32"	4.25"	2-7/8" IF (Box x Box) w/Conical Teeth
300136	32"	4.75"	3-1/2" IF (Box x Box) w/Conical Teeth
300137	34"	4.25"	2-7/8" IF (Box x Box) w/Conical Teeth
300138	34"	4.75"	3-1/2" IF (Box x Box) w/Conical Teeth
300139	36"	4.25"	2-7/8" IF (Box x Box) w/Conical Teeth
300140	36"	4.75"	3-1/2" IF (Box x Box) w/Conical Teeth



Long Wing Reamers - API (Box x Box)				
Size Range: 6.0" - 30" Dia. Shaft Dia. 2.75"				
MODEL NUMBER	CUT DIAMETER	PACK DIAMETER	SHAFT DIAMETER	DESCRIPTION
50011	6"	4.5"	2.75"	2" IF (Box x Box) w/Conical Carbide Blocks
50012	8"	6.6"	2.75"	2" IF (Box x Box) w/Conical Carbide Blocks
50013	10"	8.6"	2.75"	2" IF (Box x Box) w/Conical Carbide Blocks
50014	10"	10.8"	3.25"	2-3/8" REG (Box x Box) w/Conical Carbide Blocks
50015	12"	10.8"	2.75"	2" IF (Box x Box) w/Conical Carbide Blocks
50016	12"	12.8"	3.25"	2-3/8" REG (Box x Box) w/Conical Carbide Blocks
50017	14"	12.8"	2.75"	2" IF (Box x Box) w/Conical Carbide Blocks
50018	14"	14"	3.25"	2-3/8" REG (Box x Box) w/Conical Carbide Blocks
50019	16"	14"	2.75"	2" IF (Box x Box) w/Conical Carbide Blocks
50020	16"	16"	3.25"	2-3/8" REG (Box x Box) w/Conical Carbide Blocks
50021	18"	16"	2.75"	2" IF (Box x Box) w/Conical Carbide Blocks
50022	18"	16"	3.25"	2-3/8" REG (Box x Box) w/Conical Carbide Blocks
50023	18"	16"	4.25"	2-7/8" IF (Box x Box) w/Conical Carbide Blocks
50024	20"	18"	3.25"	2-3/8" REG (Box x Box) w/Conical Carbide Blocks
50025	20"	18"	4.25"	2-7/8" IF (Box x Box) w/Conical Carbide Blocks
50026	24"	20"	3.25"	2-3/8" REG (Box x Box) w/Conical Carbide Blocks
50027	24"	20"	4.25"	2-7/8" IF (Box x Box) w/Conical Carbide Blocks

Reamers with a cutting diameter of 10" and above are equipped with a stabilizer/packing ring for strength and smoother cutting action. Standard sizes are from 6" to 24" cutting diameter. *Large sizes available upon request.*



***Note:** Other configurations available to order.

Tapered Barrel Backreamers

Tapered Barrel Backreamer w/Shark Teeth - API (Box x Box)

MODEL NUMBER	CUT DIAMETER	PACK DIAMETER	SHAFT DIAMETER	DESCRIPTION
55011	6"	4.5"	2.75"	2" IF (Box x Box) w/Shark Teeth
55012	8"	6.6"	2.75"	2" IF (Box x Box) w/Shark Teeth
55013	10"	8.6"	2.75"	2" IF (Box x Box) w/Shark Teeth
55014	10"	8.6"	3.25"	2-3/8" REG (Box x Box) w/Shark Teeth
55015	12"	10.8"	2.75"	2" IF (Box x Box) w/Shark Teeth
55016	12"	10.8"	3.25"	2-3/8" REG (Box x Box) w/Shark Teeth
55017	14"	12.8"	2.75"	2" IF (Box x Box) w/Shark Teeth
55018	14"	12.8"	3.25"	2-3/8" REG (Box x Box) w/Shark Teeth
55019	16"	14"	2.75"	2" IF (Box x Box) w/Shark Teeth
55020	16"	14"	3.25"	2-3/8" REG (Box x Box) w/Shark Teeth
55021	18"	16"	2.75"	2" IF (Box x Box) w/Shark Teeth
55022	18"	16"	3.25"	2-3/8" REG (Box x Box) w/Shark Teeth
55023	18"	16"	4.25"	2-7/8" IF (Box x Box) w/Shark Teeth
55024	20"	18"	3.25"	2-3/8" REG (Box x Box) w/Shark Teeth
55025	20"	18"	4.25"	2-7/8" IF (Box x Box) w/Shark Teeth
55026	24"	22"	3.25"	2-3/8" REG (Box x Box) w/Shark Teeth
55027	24"	22"	4.25"	2-7/8" IF (Box x Box) w/Shark Teeth
55028	28"	26"	3.25"	2-3/8" REG (Box x Box) w/Shark Teeth
55029	28"	26"	4.25"	2-7/8" IF (Box x Box) w/Shark Teeth
55030	32"	30"	3.25"	2-3/8" REG (Box x Box) w/Shark Teeth
55031	32"	30"	4.25"	2-7/8" IF (Box x Box) w/Shark Teeth



Barrel Backreamers

MODEL NUMBER			CUT DIAMETER	PACK DIAMETER	SHAFT DIAMETER	DESCRIPTION
STANDARD	MID-GRADE	PREMIUM				
700111	700222	700333	11.5"	10.8"	2.75"	2" IF (Box x Box)
700112	700223	700334	11.5"	10.8"	3.25"	2-3/8" REG (Box x Box)
700113	700224	700335	13.5"	12.8"	2.75"	2" IF (Box x Box)
700114	700225	700336	13.5"	12.8"	3.25"	2-3/8" REG (Box x Box)
700115	700226	700337	14.5"	14"	2.75"	2" IF (Box x Box)
700116	700227	700338	14.5"	14"	3.25"	2-3/8" REG (Box x Box)
7050117	700228	700339	16.5"	16"	2.75"	2" IF (Box x Box)
700118	700229	700340	16.5"	16"	3.25"	2-3/8" REG (Box x Box)
700119	700230	700341	16.5"	16"	4.25"	2-7/8" IF (Box x Box)
700120	700231	700342	18.5"	18"	3.25"	2-3/8" REG (Box x Box)
700121	700232	700343	18.5"	18"	4.25"	2-7/8" IF (Box x Box)
700122	700233	700344	20.5"	20"	3.25"	2-3/8" REG (Box x Box)
700123	700234	700345	20.5"	20"	4.25"	2-7/8" IF (Box x Box)
700124	700235	700346	24.5"	24"	3.25"	2-3/8" REG (Box x Box)
700125	700236	700347	24.5"	24"	4.25"	2-7/8" IF (Box x Box)
700126	700237	700348	30.5"	30"	3.25"	2-3/8" REG (Box x Box)
700127	700238	700349	30.5"	30"	4.25"	2-7/8" IF (Box x Box)
700128	700239	700350	30.5"	30"	3.25"	3-1/2" IF (Box x Box)
700129	700240	700351	36.5"	36"	4.25"	2-7/8" IF (Box x Box)
700130	700242	700352	36.5"	36"	4.75"	3-1/2" IF (Box x Box)
700131	700241	700353	42.5"	42"	4.25"	2-7/8" IF (Box x Box)
700132	700243	700354	42.5"	42"	4.75"	3-1/2" IF (Box x Box)
700133	700244	700355	48"	48"	4.25"	2-7/8" IF (Box x Box)
700134	700245	700356	48"	48"	4.75"	3-1/2" IF (Box x Box)



Standard



Mid-Grade



Premium

Standard - Hard-facing on high wear areas, internal baffles for strength and air tight float chamber and front and rear facing fluid jets.

Mid-grade - All of the STANDARD styles feature PLUS front and rear carbide conical cutters.

Premium - All of the STANDARD styles feature PLUS front and rear abrasive resistant steel mixing blades fitted with outboard mounted carbide cutting bars, and basket-weave pattern of hard-facing the entire circumference of the barrel.

PDC Large Body Fluted Reamers "Hole Opener"

MODEL NUMBER	CUT DIAMETER	PACK DIAMETER	DESCRIPTION
600222	14" x 4"	5	2-7/8" IF (Box x Box) w/Screw-in Jets. No pilot.
600223	14" x 4"	6	2-7/8" IF (Box x Box) w/Screw-in Jets. No pilot.
600224	14" x 4"	7	2-7/8" IF (Box x Box) w/Screw-in Jets. No pilot.
600225	16" x 4"	5	2-7/8" IF (Box x Box) w/Screw-in Jets. No pilot.
600226	16" x 4"	6	2-7/8" IF (Box x Box) w/Screw-in Jets. No pilot.
600227	16" x 4"	7	2-7/8" IF (Box x Box) w/Screw-in Jets. No pilot.
600228	18" x 4"	5	2-7/8" IF (Box x Box) w/Screw-in Jets. No pilot.
600229	18" x 4"	6	2-7/8" IF (Box x Box) w/Screw-in Jets. No pilot.
600230	18" x 4"	7	2-7/8" IF (Box x Box) w/Screw-in Jets. No pilot.
600231	20" x 5"	5	3-1/2" IF (Box x Box) w/Screw-in Jets. No pilot.
600232	20" x 5"	6	3-1/2" IF (Box x Box) w/Screw-in Jets. No pilot.
600233	20" x 5"	7	3-1/2" IF (Box x Box) w/Screw-in Jets. No pilot.
600234	20" x 5"	8	3-1/2" IF (Box x Box) w/Screw-in Jets. No pilot.
600235	22" x 5"	5	3-1/2" IF (Box x Box) w/Screw-in Jets. No pilot.
600236	22" x 5"	6	3-1/2" IF (Box x Box) w/Screw-in Jets. No pilot.
600237	22" x 5"	7	3-1/2" IF (Box x Box) w/Screw-in Jets. No pilot.
600238	22" x 5"	8	3-1/2" IF (Box x Box) w/Screw-in Jets. No pilot.
600239	24" x 5"	6	3-1/2" IF (Box x Box) w/Screw-in Jets. No pilot.
600240	24" x 5"	7	3-1/2" IF (Box x Box) w/Screw-in Jets. No pilot.
600241	24" x 5"	8	3-1/2" IF (Box x Box) w/Screw-in Jets. No pilot.
600242	26" x 5"	6	3-1/2" IF (Box x Box) w/Screw-in Jets. No pilot.
600243	26" x 5"	7	3-1/2" IF (Box x Box) w/Screw-in Jets. No pilot.
600244	26" x 5"	8	3-1/2" IF (Box x Box) w/Screw-in Jets. No pilot.
600245	28" x 5"	6	3-1/2" IF (Box x Box) w/Screw-in Jets. No pilot.
600246	28" x 5"	7	3-1/2" IF (Box x Box) w/Screw-in Jets. No pilot.
600247	28" x 5"	8	3-1/2" IF (Box x Box) w/Screw-in Jets. No pilot.
600248	30" x 5"	6	3-1/2" IF (Box x Box) w/Screw-in Jets. No pilot.
600249	30" x 5"	7	3-1/2" IF (Box x Box) w/Screw-in Jets. No pilot.
600250	30" x 5"	8	3-1/2" IF (Box x Box) w/Screw-in Jets. No pilot.

* Other configurations, shaft diameters and pilots are available upon request.

***Note:** All above Hole Openers will cut to the shaft and can be fitted with a built-in swivel or pull back lug.



PDC Solid Body Spiral Fluted Reamers "Hole Opener"

MODEL NUMBER	CUT DIAMETER	Number of Wings	DESCRIPTION
600111	6" x 3"	4	2-3/8" REG (Box x Box) w/Screw-in Jets. No pilot.
600112	6" x 3"	5	2-3/8" REG (Box x Box) w/Screw-in Jets. No pilot.
600113	7" x 4"	4	2-3/8" REG (Box x Box) w/Screw-in Jets.& 4" pilot.
600114	8" x 4"	4	2-3/8" REG (Box x Box) w/Screw-in Jets.& 4" pilot.
600115	8" x 4"	5	2-3/8" REG (Box x Box) w/Screw-in Jets.& 4" pilot.
600116	10" x 4"	5	2-3/8" REG (Box x Box) w/Screw-in Jets.& 4" pilot.
600117	12" x 4"	5	2-7/8" IF (Box x Box) w/Screw-in Jets. No pilot.
600118	4" x 5"	6	2-7/8" REG (Box x Box) w/Screw-in Jets & 5" pilot.
600119	15" x 5"	7	2-7/8" REG (Box x Box) w/Screw-in Jets & 5" pilot.

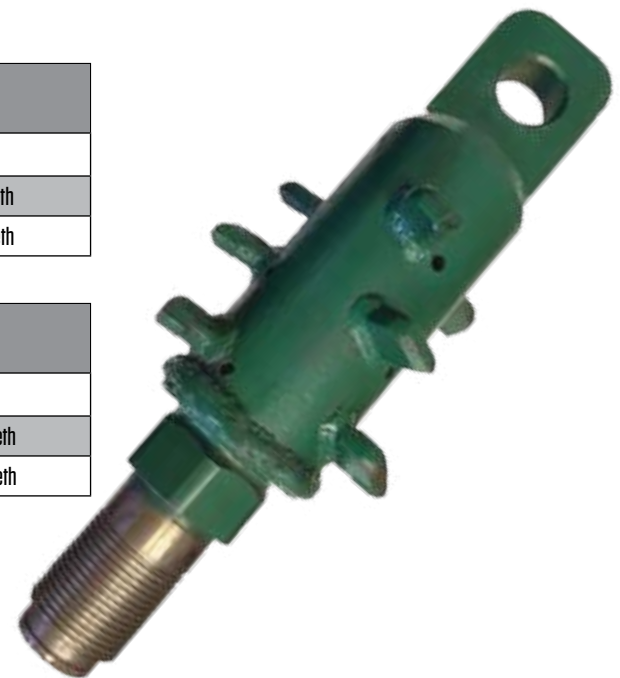


Solid Body Reamers - LPT/HEX (Pin w/Drawbar) w/Shark Teeth

MODEL NUMBER	CUT DIAMETER	PACK DIAMETER	DESCRIPTION
650111	6"	3.5"	2.125" LPT/Hex Pin w/Shark Teeth
650112	6"	3.5"	1.625" LPT/Hex Pin w/Shark Teeth

Solid Body Reamers - LPT/HEX (Pin w/Drawbar) w/Rotary Teeth

MODEL NUMBER	CUT DIAMETER	PACK DIAMETER	DESCRIPTION
650113	6"	3.5"	2.125" LPT/Hex Pin w/Rotary Teeth
650114	6"	3.5"	1.625" LPT/Hex Pin w/Rotary Teeth



Replacement Carbide Reamer Cutters

MODEL NUMBER	Description
90101	#1 ST, Small Shark Tooth - 1.250"ht.
90102	#2 ST, Medium Shark Tooth - 1.50"ht.
90201	#1 C, Small Conical Tooth - .840"ht.
90202	#2 C, Medium Conical Tooth - 1.26"ht.



Shark Tooth



Conical Tooth

*Note: Other configurations available to order.



AMERICAN HDD®

1300 West National Ave. Unit C, Addison, IL 60101
Phone: 888-206-3044 Email: info@americanhdd.com
AMERICANHDD.COM